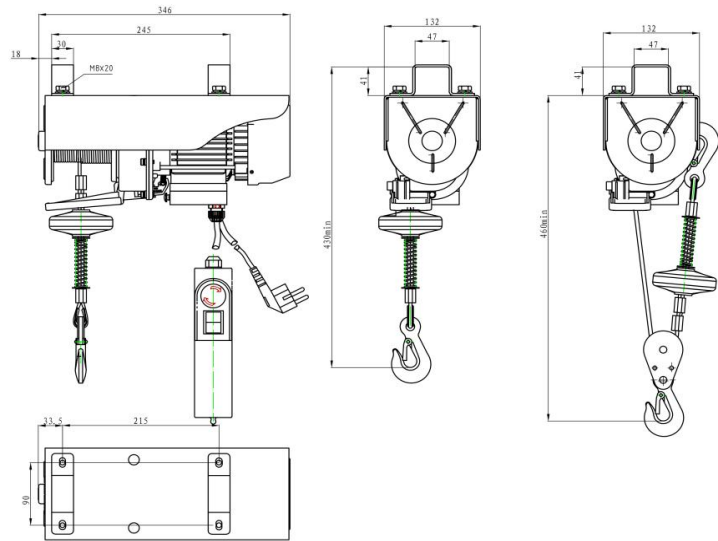


# Mini Electric Wire rope Hoists 100Kg-1000Kg



## Specifications

Type	Capacity (single hook/double hook) (kg)	Lifting Speed (m/min)		Standard Lift (m)	Lifting Motor	Weight (kg)	Packing Dimension (cm)	Qty/Ctn (pcs)
		50Hz	60Hz		Power (kw)			
PA100	50/100	10/5	12/6	12/6	0.18	20	41*30*22	4
PA200	100/200	10/5	12/6		0.45	22	46*36*16	2
PA250	125/250	10/5	12/6		0.5	23	46*36*16	2
PA300	150/300	10/5	12/6		0.55	24	46*36*16	2
PA400	200/400	10/5	12/6		0.75	33	46*41*17	2
PA500	250/500	10/5	12/6		0.9	34	52*41*17	2
PA600	300/600	10/5	12/6		1.05	35	52*41*17	2
PA800	400/800	10/5	12/6		1.35	38	52*44*17	2
PA1000	500/1000	10/5	12/6		1.6	54	54*22*31	1