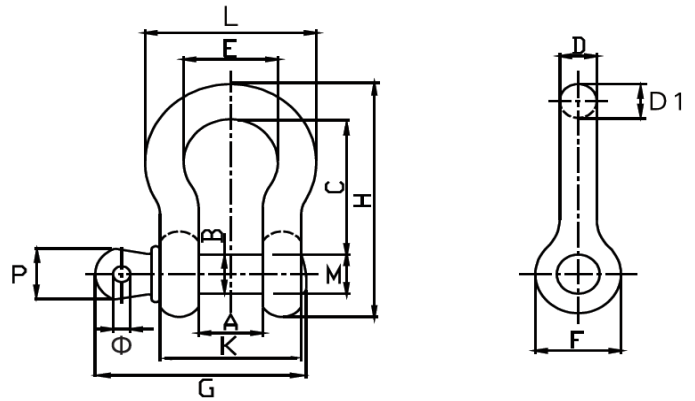


Bow Shackles G-209

3/16inch-4inch

Specifications

Type	Normal Size (in)	WLL (t)	Weight (kg)
BS-3/16	3/16	0.33	0.03
BS-1/4	1/4	0.5	0.05
BS-5/16	5/16	0.75	0.09
BS-3/8	3/8	1	0.14
BS-7/16	7/16	1.5	0.17
BS-1/2	1/2	2	0.33
BS-5/8	5/8	3.25	0.62
BS-3/4	3/4	4.75	1.07
BS-7/8	7/8	6.5	1.64
BS-1	1	8.5	2.28
BS-1-1/8	1-1/8	9.5	3.36
BS-1-1/4	1-1/4	12	4.31
BS-1-3/8	1-3/8	13.5	6.14
BS-1-1/2	1-1/2	17	7.8
BS-1-3/4	1-3/4	25	12.6
BS-2	2	35	20.4
BS-2-1/2	2-1/2	55	38.9
BS-3	3	85	66
BS-3-1/2	3-1/2	120	110.2
BS-4	4	150	143.32



Dimensions (mm)

Type	A	B	C	D	D1	E	F	L	K	H	G	P	φ	M
BS-3/16	9.7	6.4	22.4	4.8	/	15.2	14.2	24.9	17.3	37.3	28.4	8.5	4	6.4
BS-1/4	11.9	8	28.7	6.4	/	19.8	15.5	32.5	24.7	46.7	37	10	4	7.9
BS-5/16	13.5	9.5	30.9	7.9	/	21.3	19.1	37.3	29.3	53.1	43	11.5	5	9.7
BS-3/8	13.5	11.1	36.6	9.7	/	26.2	23.1	45.2	36.2	63.2	52	13	5.5	11.2
BS-7/16	19.1	12.7	42.9	11.2	/	29.5	26.9	51.6	41.4	73.9	58	15	6	12.7
BS-1/2	20.6	16	47.8	12.7	/	33.3	30.2	58.7	46	83.3	68	20	8	16
BS-5/8	26.9	19	60.5	16	/	42.9	38.1	74.7	59	106.4	85	25	10	19.1
BS-3/4	31.8	22.1	71.4	19.1	/	50.8	46	88.9	69.8	126.2	101	28	11	22.4
BS-7/8	36.6	25.1	84.1	22.4	/	57.9	53.1	102.4	80.6	148.1	117	33	12	25.4
BS-1	42.9	28.5	95.3	25.4	/	68.3	60.5	119.1	93	166.6	134	36	14	28.7
BS-1-1/8	45	31.7	108	29.5	/	73.9	68.3	131.1	102	189.7	146	40	15	31.8
BS-1-1/4	51.6	35.1	119.1	32.8	/	82	76.2	146.1	115.5	209.6	166	43	16	35.1
BS-1-3/8	57.2	38	133.4	36.1	/	92.2	84.1	162.1	127	232.7	180	46	18	38.1
BS-1-1/2	60.5	41.5	146.1	39.1	/	98.6	92.2	174.8	136.5	254	194	49	18	41.4
BS-1-3/4	73.2	50.8	177.8	46.7	/	127	106.4	225	163	314.4	233	59	20	50.8
BS-2	82.6	57.1	196.9	52.8	/	146.1	122.2	253.2	184.5	347.5	260	65	22	57.2
BS-2-1/2	104.9	69.8	266.7	68.8	79.5	184.2	144.5	326.9	235	453.1	326	78	28	79.9
BS-3	127	85	330.2	76.2	92	224.6	165.1	364.7	279	546.1	381	91	32	82.6
BS-3-1/2	133.4	95.3	371.6	91.9	99	260	203.2	419.1	323	625.6	482	104	36	95.3
BS-4	139.7	108	368.3	104.1	107	290.7	228.6	469.9	365	652.6	502	118	40	108

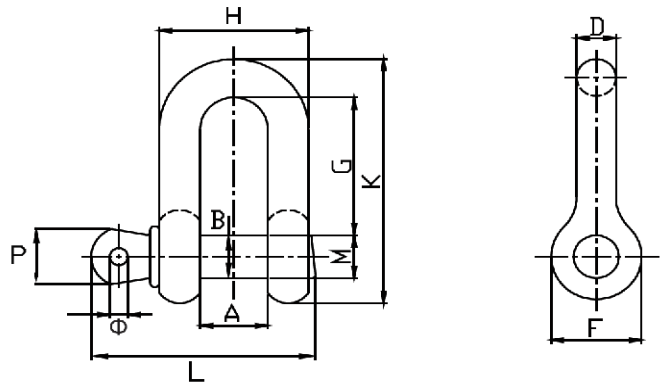
WLL=Working Load Limit

D Shackles G-210

1/4inch-4inch

Specifications

Type	Normal Size (in)	WLL (t)	Weight (kg)
DS-1/4	1/4	0.5	0.05
DS-5/16	5/16	0.75	0.08
DS-3/8	3/8	1	0.13
DS-7/16	7/16	1.5	0.2
DS-1/2	1/2	2	0.27
DS-5/8	5/8	3.25	0.57
DS-3/4	3/4	4.75	1.2
DS-7/8	7/8	6.5	1.43
DS-1	1	8.5	2.15
DS-1-1/8	1-1/8	9.5	3.06
DS-1-1/4	1-1/4	12	4.11
DS-1-3/8	1-3/8	13.5	5.28
DS-1-1/2	1-1/2	17	7.23
DS-1-3/4	1-3/4	25	12.1
DS-2	2	35	19.2
DS-2-1/2	2-1/2	55	32.5
DS-3	3	85	56.36
DBS-3-1/2	3-1/2	120	100.5
DS-4	4	150	129.3



Dimensions (mm)

Type	A	B	D	F	L	K	H	G	P	φ	M
BS-1/4	11.9	8	6.4	15.5	37	40.4	24.7	19	10	4	7.9
BS-5/16	13.5	9.5	7.9	19.1	43	48.5	29.3	25	11.5	5	9.7
BS-3/8	13.5	11.1	9.7	23.1	52	58.4	36.2	31	13	5.5	11.2
BS-7/16	19.1	12.7	11.2	26.9	58	67.6	41.4	36	15	6	12.7
BS-1/2	20.6	16	12.7	30.2	68	77	46	41	20	8	16
BS-5/8	26.9	19	16	38.1	85	96	59	51	25	10	19.1
BS-3/4	31.8	22.1	19.1	46	101	114	69.8	60	28	11	22.4
BS-7/8	36.6	25.1	22.4	53.1	117	134	80.6	71	33	12	25.4
BS-1	42.9	28.5	25.4	60.5	134	152	93	81	36	14	28.7
BS-1-1/8	45	31.7	29.5	68.3	146	168	102	91	40	15	31.8
BS-1-1/4	51.6	35.1	32.8	76.2	166	189	115.5	100	43	16	35.1
BS-1-3/8	57.2	38	36.1	84.1	180	208	127	111	46	18	38.1
BS-1-1/2	60.5	41.5	39.1	92.2	194	230	136.5	124	49	18	41.4
BS-1-3/4	73.2	50.8	46.7	106.4	233	272	163	146	59	20	50.8
BS-2	82.6	57.1	52.8	122.2	260	314	184.5	171	65	22	57.2
BS-2-1/2	104.9	69.8	68.8	144.5	326	378	234	203	78	28	79.9
BS-3	127	85	76.2	165.1	381	417.5	279	216	91	32	82.6
BS-3-1/2	133.4	95.3	91.9	203.2	415	482.6	315	238	104	36	95.3
BS-4	139.7	108	104.1	228.6	465	501.7	360	255	118	40	108