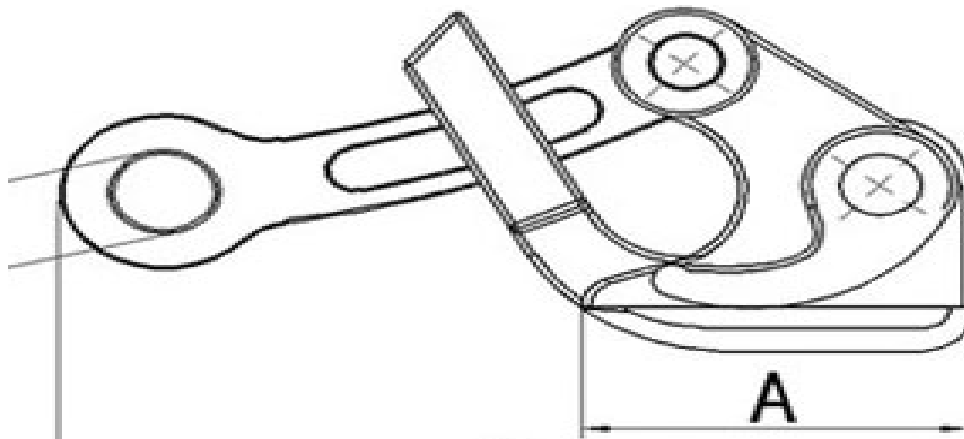


Wire Rope Grips  
0.5Ton-20Ton



Specifications

Model	Capacity (t)	Max Open (mm)	Applicable Diameter (mm)	Applicable Conductor (ACSR)	Weight(Kg)	Pack/pcs	Jaw Shape
WRG005	0.5	12	/	1-10	0.4	40	round
WRG007	0.7	14	1-10	25-70	1		
WRG01	1	15	6-14	25-70	1.1	20	
WRG015	1.5	18	13-18	95-120	1.4		
WRG02	2	24	12-32	100-150	1.5		
WRG025	2.5	27	17-24	150-240	2.8	8	
WRG03	3	32	16-32	/	4		
WRG04	4	32	25-37	300-400	4.1		
WRG05	5	34	30-40	500-630	6.6		
WRG06	6	38	/	630-720	9.2		
WRG07	7	42	16-18	720-800	14		
WRG08	8	45	/	/	18		
WRG12	12	/	19-24	/	13.6		
WRG20	20	/	26-30	/	32.5		