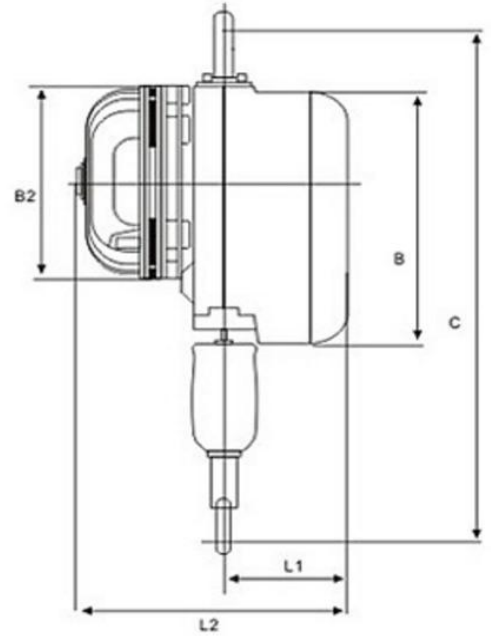
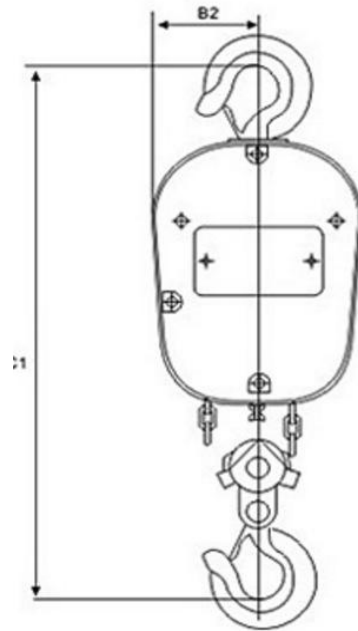


DHS Electric Chain Hoists
1Ton-20Ton



Specifications

Type	Capacity (t)	Lifting Speed (m/min)		Standard Lift (m)	Lifting Motor		Load Chain	Test Load (t)	Weight (kg)	Additional Weight per 1m Lift (kg)
		50Hz	60Hz		Power (kw)	Rotation Speed (r/min)	Diameter (mm) × chain falls			
DHS1	1	2.25	2.7	2.5	0.3	1380	6 × 1	1.5	36	0.835
DHS2	2	1.85	2.22		0.3		6 × 2	3	45	1.67
DHS3	3	1.1	1.32	3	0.5		8 × 2	4.5	52	2.92
DHS5	5	0.9	1.08		0.75		10 × 2	6.25	57	4.52
DHS10	10	0.45	0.54		0.75		10 × 4	12.5	115	9.04
DHS20	20	0.45	0.54		0.75		10 × 8	25	195	18.08