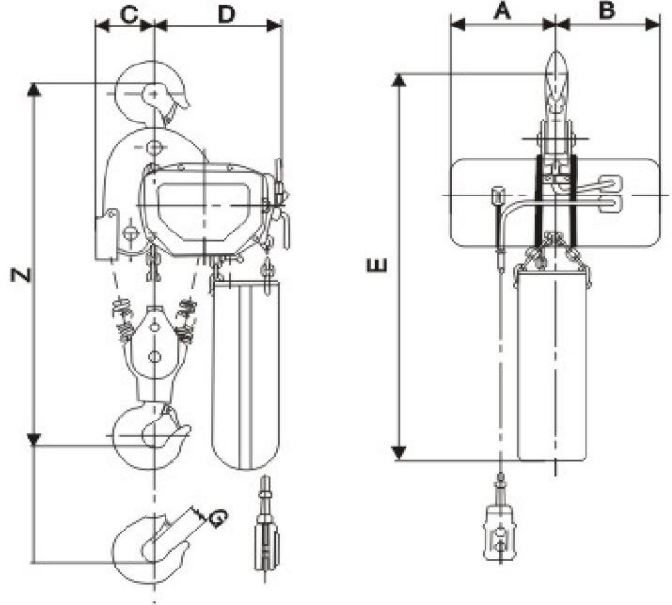


With Hook Suspension
1Ton-5Ton



Specifications

Type	Capacity (t)	Lifting Speed (m/min)		Standard Lift (m)	Lifting Motor		Load Chain Diameter (mm) ×chain falls	Test Load (t)	Weight (kg)	Additional Weight per 1m Lift (kg)
		50Hz	60Hz		Power (kw)	Rotation Speed (r/min)				
CPT0101S	1	4.6	5.5	3	1.1	2800	7.1 × 1	1.25	61	1.1
CPT0202S	2	2.3	2.8		1.1		7.1 × 2	2.5	73	2.2
CPT0303S	3	1.6	1.9		1.1		7.1 × 3	3.75	85	3.3
CPT0505S	5	0.9	1.1		1.1		7.1 × 5	6.25	151	5.5

Dimensions (mm)

Type	Capacity (t)	Headroom	A	B	C	D	E	G
		Z						
CPT0101S	1	530	216	216	135	170	680	31
CPT0202S	2	645	216	216	90	215	705	26
CPT0303S	3	800	216	216	125	270	900	42
CPT0505S	5	895	216	216	175	340	1000	48

shell materil is Iron

continuous working time is 15 min