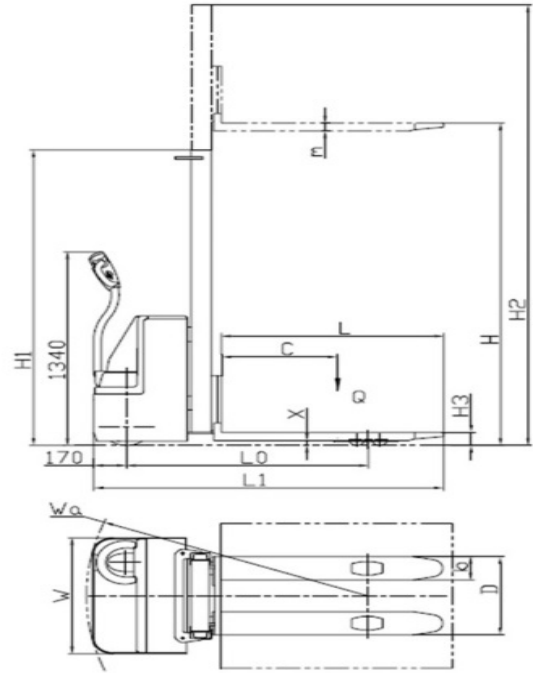


Electric Pallet Stackers 1-2t

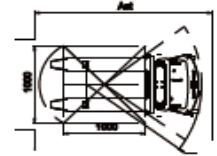
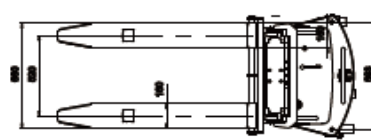
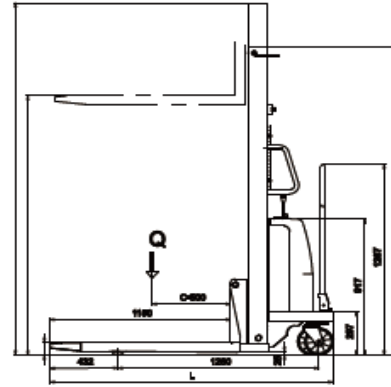


Specifications

Model	Capacity (t)	Max. Lifting Height (mm)	Brake Type	Power Type	Operating Type	Fork Size		Wheels Type	Load Center (mm)	Pallet Fork Type	Driving Motor (kw)	Lifting Motor (kw)	Battery Weight (kg)	Walking Speed (km/h)	Load Center (mm)	Battery Voltage (v)	Battery Capacity (Ah)	Total Weight (kg)
						L/mm	W/mm											
EPS01/16	1	1600	Electro magnetic / Regenerative	battery powered	Walkie or Stand on	1150	190	PU	500	movable or fixed	0.75	2	200	4.0/5.8	600	24	210	880
EPS01/20	1	2000																935
EPS01/25	1	2500																950
EPS01/30	1	3000																975
EPS012/16	1.2	1600																813
EPS012/245	1.2	2450																870
EPS012/29	1.2	2900				892												
EPS012/31	1.2	3100				905												
EPS015/16	1.5	1600				820												
EPS015/20	1.5	2000				877												
EPS015/25	1.5	2500				899												
EPS015/30	1.5	3000				912												
EPS02/16	2	1600				905												
EPS02/20	2	2000				1130												
EPS02/25	2	2500				1150												
EPS02/30	2	3000	1185															

Semi-electric Pallet Stackers

1-2t



Specifications

Model	Capacity (t)	Lifting Height (mm)	Load Center (mm)	Frame Type	Charging Voltage (v)	Turning Radius (mm)	Overall Length (mm)	Overall Width (mm)	Motor Power (kw)	Outer Width of Front Leg (mm)	Inner Width of Front Leg (mm)	Weight (kg)	Fork Length (mm)	Adjustable Width of Fork (mm)	Front Wheel Size (mm)	Steeling Wheel Size (mm)
SEPS01/16	1	1600	450	Single	220	1430	1640	780	1.2	620	380	280	1000	360-690	Φ80×70	Φ150×50
SEPS01/20	1	2000	450	Double								305				
SEPS01/25	1	2500	450	Double								325				
SEPS01/30	1	3000	450	Double								350				
SEPS015/15	1.5	1600	450	Single								305				
SEPS015/20	1.5	2000	450	Double								350				
SEPS015/25	1.5	2500	450	Double								365				
SEPS015/30	1.5	3000	450	Double								420				
SEPS02/16	2	1600	500	Single								350				