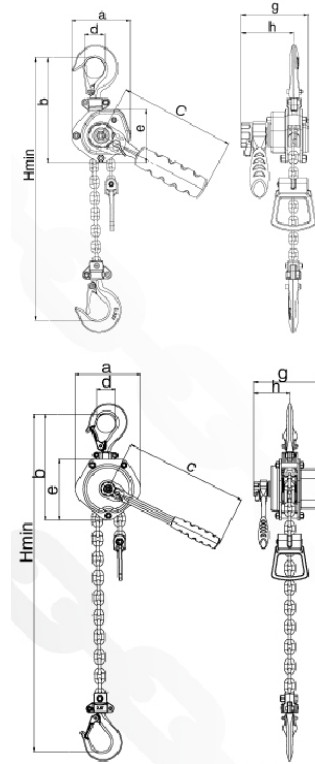


CR Lever Hoists
0.25Ton-6Ton



Specifications

Type	Capacity (t)	Standard Lift (m)	Effort required to lift full load (N)	Load Chain	Test Load (t)	Weight (kg)	Additional Weight per 1m Lift(kg)
				Diameter (mm)×chain falls			
CR0025	0.25	1.5	260	4 × 1	0.375	2.2	0.3
CR005	0.5		260	4 × 1	0.75	3.2	0.3
CR0075	0.75		220	5 × 1	1.125	4.7	0.6
CR015	1.5		240	7 × 1	2.25	7.6	1.1
CR025	2.5		330	9 × 1	3.75	14	1.8
CR032	3.2		330	9 × 1	3.75	14.8	1.8
CR05	5		330	9 × 2	7.5	22	3.6
CR06	6		330	9 × 2	7.5	22.8	3.6

Dimensions (mm)

Type	Capacity (t)	a	b	c	d	e	Hmin	g	h
CR0025	0.25	86	155	170	30	79	245	97	77
CR005	0.5	95	178	170	35	87	285	117	80
CR0075	0.75	121	204	240	30	112	335	124	84
CR015	1.5	139	235	240	42	133	365	159	90
CR025	2.5	173	286	335	52	162	448	178	97
CR032	3.2	173	286	385	52	162	448	184	99
CR05	5	173	340	335	60	162	600	178	97
CR06	6	173	340	385	60	162	600	184	99