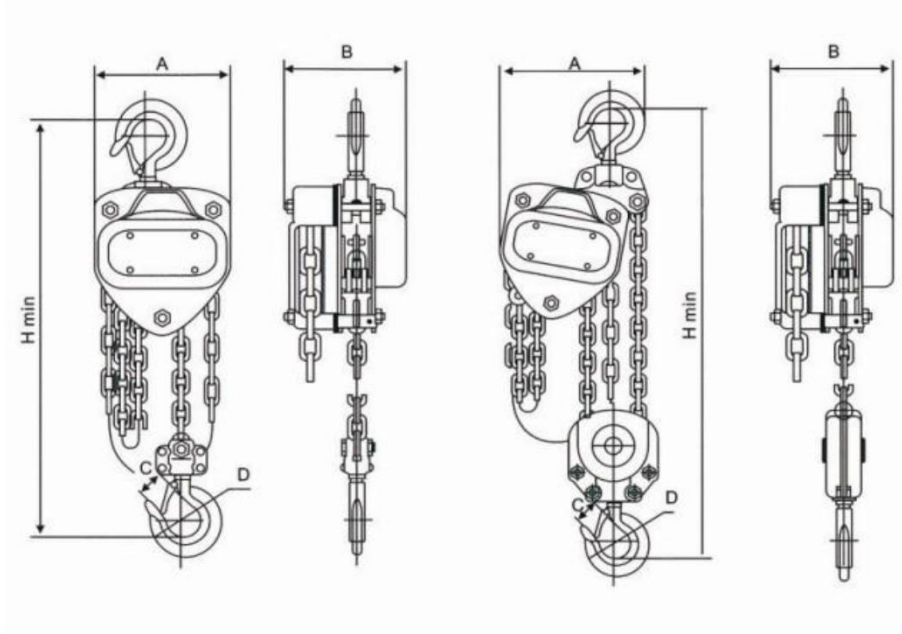


HSC Chain Blocks

0.5Ton-20Ton



Specifications

Type	Capacity (t)	Standard Lift (m)	Effort required to lift full load (N)	Load Chain	Test Load (t)	Weight (kg)	Additional Weight per 1m Lift(kg)
				Diameter (mm) x chain falls			
HSC005	0.5	2.5	221	6 × 1	0.75	8	1.7
HSC01	1		304	6 × 1	1.5	10	1.7
HSC015	1.5		343	8 × 1	2.25	16	2.3
HSC02	2	3	314	6 × 2	3	14	3.4
HSC03	3		343	8 × 2	4.5	24	4.6
HSC05	5		383	10 × 2	7.5	36	5.6
HSC10	10		392	10 × 4	15	68	11.2
HSC20	20		392	10 × 8	30	156	22.4

Dimensions (mm)

Type	Capacity (t)	A	B	H	D	C
HSC005	0.5	125	111	270	35	24
HSC01	1	147	126	317	40	28
HSC015	1.5	183	141	398	45	34
HSC02	2	147	126	414	50	34
HSC03	3	183	141	465	58	41
HSC05	5	215	163	636	64	48
HSC10	10	365	163	798	85	64
HSC20	20	585	191	1000	110	82