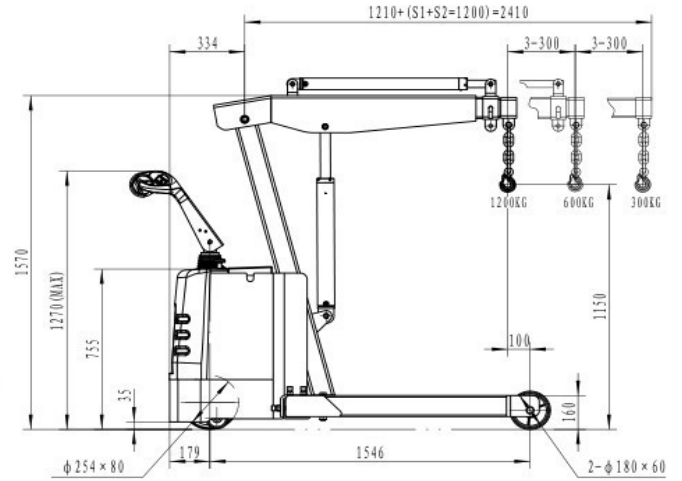


# Electric Floor Cranes

## 0.2Ton-2.7Ton



### Specifications

Model	Capacity (Kg)	Length Position (mm)	Max Hook Height (mm)	Min Hook Height (mm)	Overall Size (mm)	Weight (Kg)	Warranty	Rotation Angle
EFC002	200	2080	2960	1480	1470*910*1630	550	1 year	360°
EFC0026	260	1800	2750	1480	1470*910*1630	550		
EFC0038	380	1500	2525	1480	1470*910*1630	550		
EFC005	500	1210	2300	1480	1470*910*1630	550		
EFC007	700	1540	2250	1480	/	640		
EFC0075	750	930	2085	1480	1470*910*1630	630		
EFC012	1200	1300	2260	/	/	510		
EFC0165	1650	1655	2220	/	/	630		
EFC027	2700	1685	3360	2260	/	430		