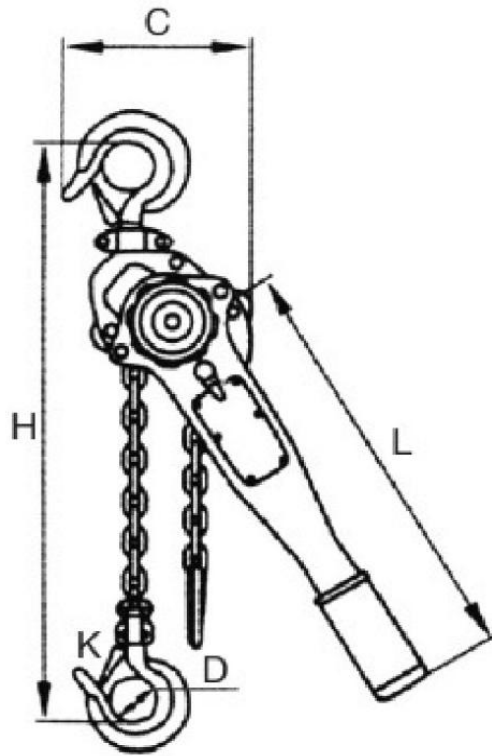
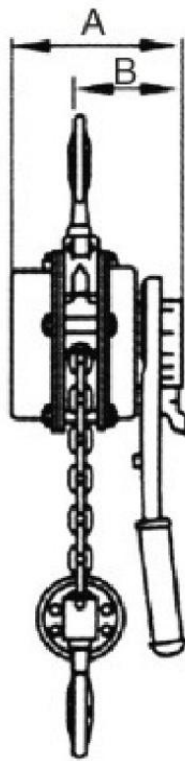


V2 Lever Hoists
0.25Ton



Specifications

Type	Capacity (t)	Standard Lift (m)	Effort required to lift full load (N)	Load Chain	Test Load (t)	Weight (kg)	Additional Weight per 1m Lift(kg)
				Diameter (mm) ×chain falls			
V20025	0.25	1	162	4 × 1	0.375	1.8	0.3

Dimensions (mm)

Type	Capacity (t)	A	B	C	D	H	L	K
V20025	0.25	92	72	85	30	230	160	25