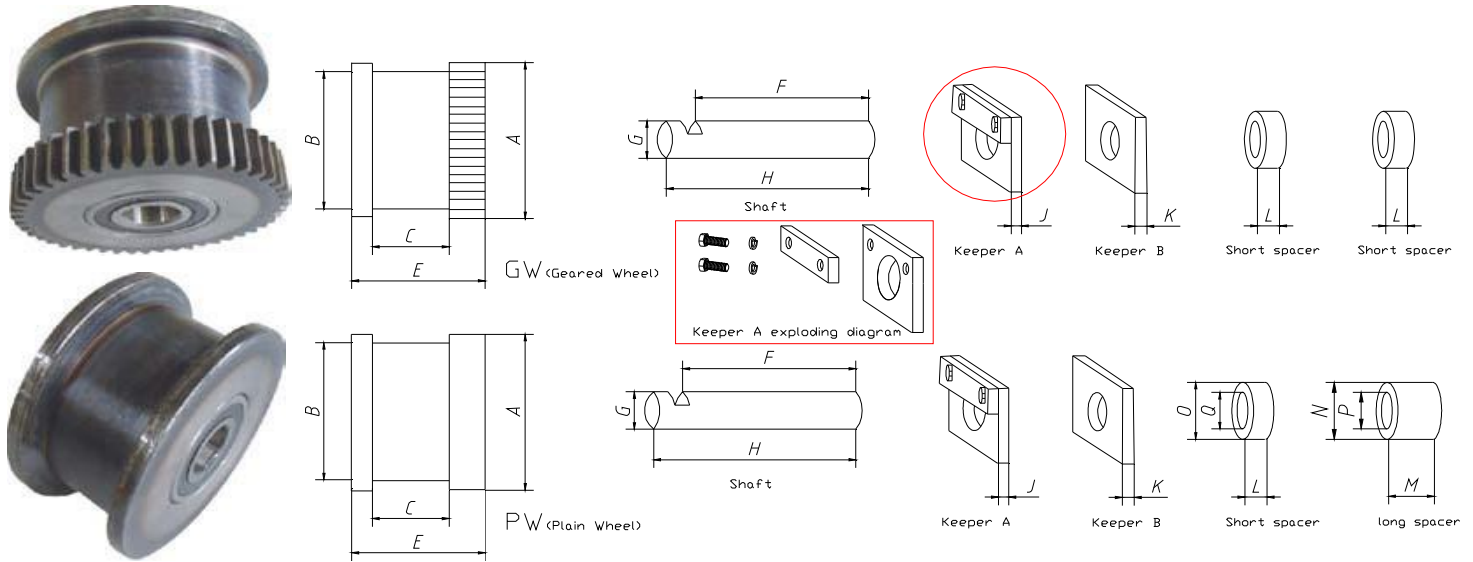


End Truck Wheel Kits



Specifications

Type	Bearing	Gear Teeth	Material	HRC Hardness	Wheel Load (kgs)	Square Bar (mm)
GW150PW150	6306Z	M3×48T/M4×35T	S45C	50±5	2100	32
GW180PW180	6308Z	M3×58T/M4×42T	S45C	50±5	3200	38
GW198PW198	6308Z	M3×64T/M4×47T	S45C	50±5	4900	38
GW250PW250	6309Z	M3×81T/M4×60T	S45C	50±5	5700	44
GW280PW280	6310Z	M5×54T/M4×67T	S45C	50±5	8100	44
GW345PW345	6311Z	M5×67T/M4×84T	SC49	45±5	9700	55
GW430PW430	6314Z	M5×84T/M6×69T	SC49	45±5	15000	55
GW545PW545	6316Z	M5×107T/M6×88T	SC49	45±5	19000	63

Dimensions(mm)

Type	A	B	C	E	F	G(Φ)	H	J	K	L	Qty (pcs)	M	Weight (kg)
GW150	150	120	50	90	185	30	200	9	9	5	2	20	37
PW150				75							2		
GW180	180	150	60	100	185	40	200	9	9	5	2	20	57
PW180				85							2		
GW198	198	170	60	105	185	40	200	9	9	5	2	20	72
PW198				90							2		
GW250	249	220	70	115	275	45	290	13	13	10	2	25	136
PW250				100							2		
GW280	280	250	70	115	275	50	290	13	13	10	2	25	175
PW280				100							2		
GW345	345	300	75	140	285	55	300	13	13	10	2	40	319
PW345				110							2		
GW430	430	400	80	150	285	70	300	13	13	10	2	40	542
PW430				120							2		
GW545	545	500	80	150	285	80	300	13	13	10	2	40	872
PW545				120							2		