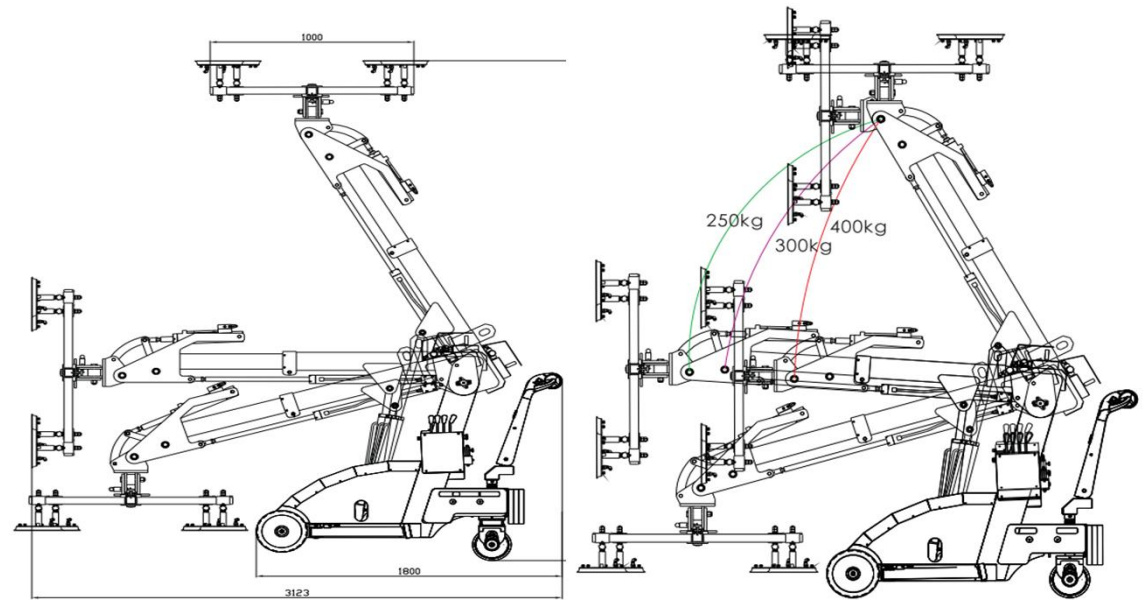
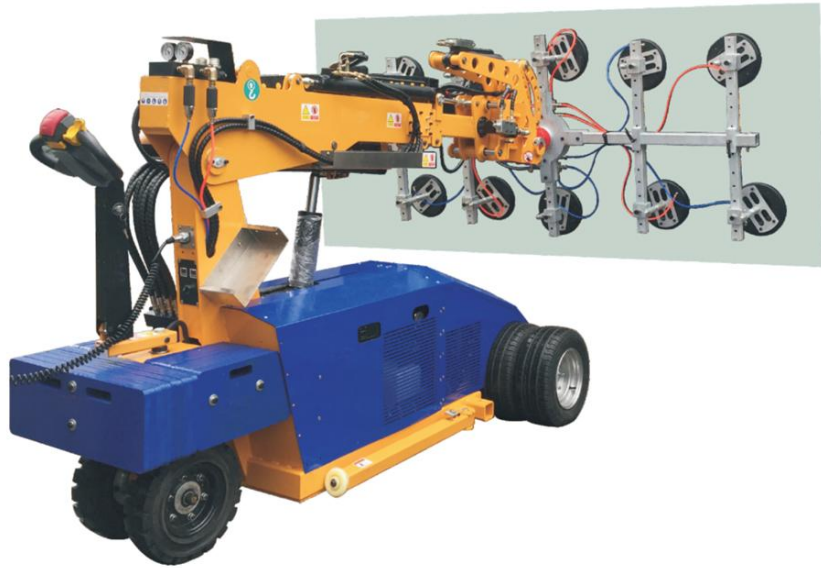


# Vacuum Glass Lifters 400kgs-800kgs



## Specifications

Type	Max. Load(kg)	Charge Power Supply	Voltage	Battery Spec	Moving Speed without Load (km/h)	Running Speed with Full Load (km/h)	Lifting Speed with Full Load (mm/s)	Lifting Speed without Load (mm/s)	Decline Speed with Full Load (mm/s)	Decline Speed without Load	Climbing Capacity without Load (mm/s)	Rotating	Tilting	Side-shift	Side-moving	Suction Pads Number	Vacuum Circle	Wireless Proportional Remote Control	Drive Mode	Tire Size (mm)	Wheelbase (mm)
VGL400	400	AC110-220V 50-60Hz	DC24V	4*(12V/70Ah)	4	3	13	18	19	5%	19	manual	Hydraulic Pressure	manual	Hydraulic Pressure	6	2	NO	Rear-wheel Drive	300	1230
VGL600	600			4*(12V/70Ah)								Hydraulic Pressure		Hydraulic Pressure				Optional	Front-wheel Drive	400	1475
VGL800	800			2*(12V/110Ah)								Hydraulic Pressure		Hydraulic Pressure				Optional	Front-wheel Drive	400	1820