

RM Electric Chain Hoists (Upside-down/theatrical/stage type)

0.5Ton-1Ton

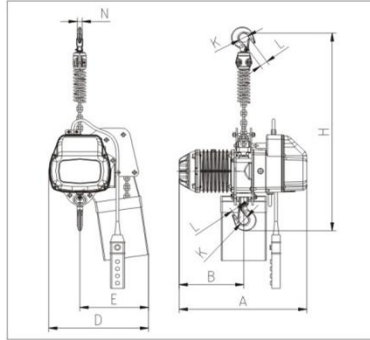
upside-down series electric chain hoist

Product features:

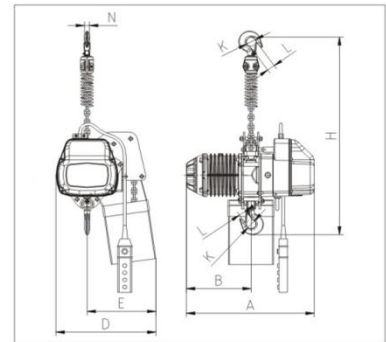
widely applied to entertainment industry and stage.



0.5-01



01-01



Specifications

| Type | Capacity (t) | Lifting Speed (m/min) | | Standard Lift (m) | Lifting Motor | | Load Chain Diameter (mm) × chain falls | Test Load (t) | Weight (kg) | Additional Weight per 1m Lift (kg) |
|------------|--------------|-----------------------|------|-------------------|---------------|------------------------|--|---------------|-------------|------------------------------------|
| | | 50Hz | 60Hz | | Power (kw) | Rotation Speed (r/min) | | | | |
| TNRM00501S | 0.5 | 7.8 | 9.4 | 3 | 0.75 | 1440 | 6.3 × 1 | 0.625 | 47 | 0.8 |
| TNRM0101S | 1 | 6.8 | 8.2 | | 1.5 | | 6.3 × 1 | 1.25 | 60 | 0.8 |

Dimensions (mm)

| Type | Capacity (t) | Headroom | | A | B | D | E | K | L | N |
|------------|--------------|----------|-----|-----|-----|-----|-----|-----|----|----|
| | | H | H | | | | | | | |
| TNRM00501S | 0.5 | 580 | 580 | 460 | 230 | 310 | 200 | Φ32 | 25 | 17 |
| TNRM0101S | 1 | 600 | 600 | 520 | 260 | 360 | 240 | Φ40 | 31 | 24 |

Default one is single brake

Double brake can be produce with the MOQ 50 pcs for each type