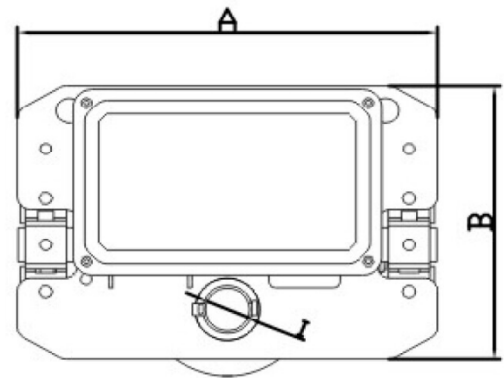
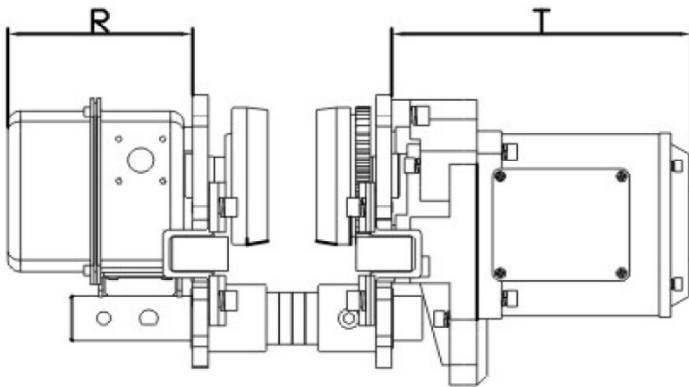


Electric Trolleys

0.5Ton-10Ton



Specifications and Dimensions (mm)

Type	Capacity (t)	Motor Power (kw)	Rotation speed (r/min)	Traversing Speed (m/min)		Min. Turning Radius (m)	I - beam (mm)	Weight (kg)	A	B	R	T	I
				50Hz	60Hz								
RMET005	0.5	0.4	1440 (50Hz) 1728 (60Hz)	21	25	0.8	58-153	42	315	212	142	231	Φ31
RMET01	1	0.4				0.8	58-153	42	315	212	142	231	Φ31
RMET02	2	0.4		11	13	0.8	82-178	49	325	220	142	231	Φ36
RMET03	3	0.75				1.0	100-178	61	340	250	142	231	Φ43
RMET05	5	0.75		1.8	100-178	83	400	291	142	231	Φ54		
RMET075	7.5	0.75		1.8	100-178	103	400	291	142	231	Φ54		
RMET10	10	0.75		2.5	150-220	144	500	370	142	231	Φ70		