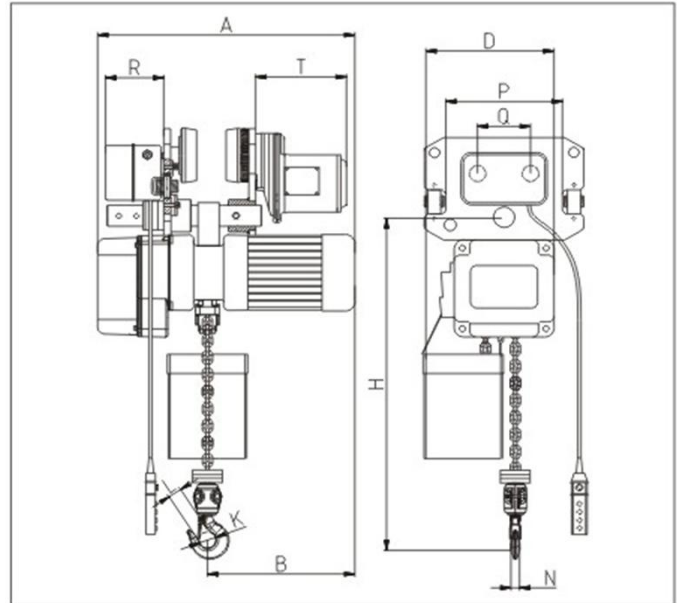


(N)RM Electric Chain Hoists (With Electric Trolley)

0.25Ton-5Ton



Specifications

Type	Capacity (t)	Lifting Speed (m/min)		Standard Lift (m)	Lifting Motor		Traversing Motor			Load Chain Diameter (mm) × chain falls	Test Load (t)	I - beam (mm)	Weight (kg)	Additional Weight per 1m Lift (kg)	
		50Hz	60Hz		Power (kw)	Rotation speed (r/min)	Power (kw)	Rotation Speed (r/min)	Traversing Speed (m/min)						
									50Hz	60Hz					
(N)RM002501S	0.25	9	10.8	3	0.4	1440 (50Hz)	0.4	1440 (50Hz)	20	24	4.0 × 1	0.313	58-153	79	0.4
(N)RM00501S	0.5	7.8	9.36		0.75		0.4				6.3 × 1	0.625	80-160	89	0.8
(N)RM0101S	1	7.2	8.6		1.5		0.4				8.0 × 2	1.25	80-160	103	1.1
(N)RM0201S	2	5.4	6.48		1.5		0.4				10.0 × 1	2.5	82-178	164	2.3
(N)RM0202S	2	3.6	4.3		1.5	0.4	8.0 × 2	2.5	82-178	122	2.2				
(N)RM0301S	3	5.4	6.48		3	0.4	11.2 × 1	3.75	100-180	183	2.8				
(N)RM0302S	3	2.8	3.4		1.5	0.4	10.0 × 2	3.75	110-180	192	4.7				
(N)RM0502S	5	2.7	3.24		3.0	0.75	11.2 × 2	6.25	110-180	234	5.6				

Dimensions (mm)

Type	Capacity (t)	Headroom	A	B	D	J	K	L	M	N	R	T	P	Q
		H												
(N)RM002501S	0.25	300	455	210	225	18	31	18	13	13	142	231	206	111
(N)RM00501S	0.5	450	565	280	300	25	32	25	17	17	142	231	206	111
(N)RM0101S	1	460	595	320	300	31	40	31	24	24	142	231	206	111
(N)RM0201S	2	560	645	330	320	36	49	35	30	30	142	231	237	127
(N)RM0202S	2	660	595	320	300	35	30	35	30	30	142	231	265	140
(N)RM0301S	3	710	785	395	465	42	Φ59	42	35	35	142	231	265	140
(N)RM0302S	3	680	645	330	320	43	Φ59	42	35	35	142	231	265	140
(N)RM0502S	5	940	785	395	465	45	Φ60	45	43	43	142	231	237	127