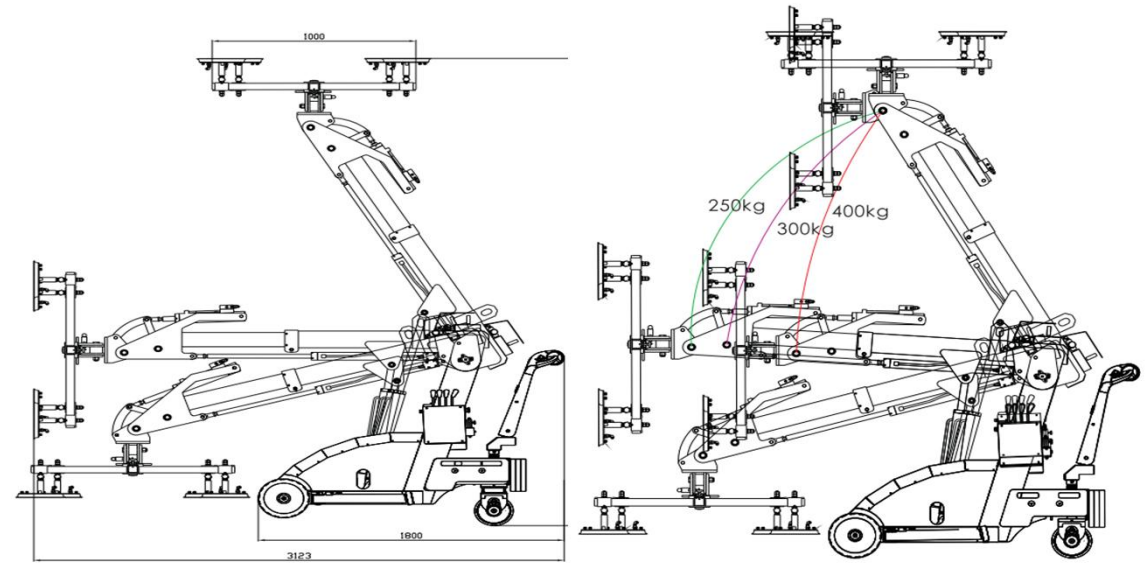
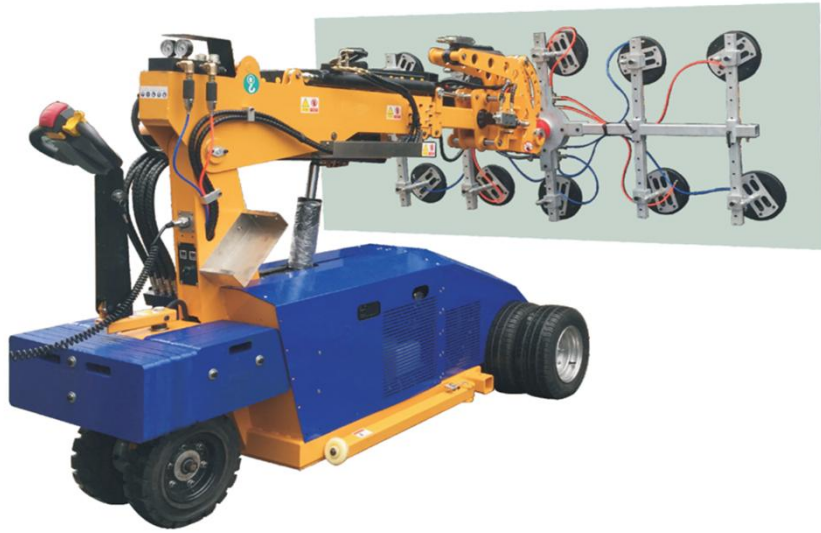


Vacuum Glass Lifters 600kgs



Specifications

Type	Max. Load(kg)	Charge Power Supply	Voltage	Battery Spec	Moving Speed without Load (km/h)	Running Speed with Full Load (km/h)	Lifting Speed with Full Load (mm/s)	Lifting Speed without Load (mm/s)	Decline Speed with Full Load (mm/s)	Decline Speed without Load	Climbing Capacity without Load (mm/s)	Rotating	Tilting	Side-shift	Side-moving	Suction Pads Number	Vacuum Circle	Wireless Proportional Remote Control	Drive Mode	Tire Size (mm)	Wheelbase (mm)
VGL600	600	AC110~220V 50~60Hz	DC24V	4*(12V/70Ah)	4	3	13	18	19	5%	19	Hydraulic Pressure	Hydraulic Pressure	Hydraulic Pressure	Hydraulic Pressure	6	2	Optional	Front-wheel Drive	400	1475