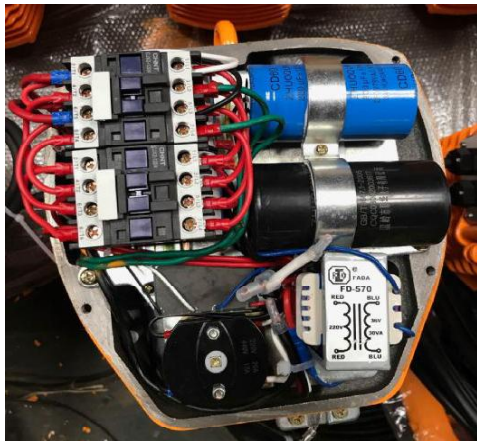
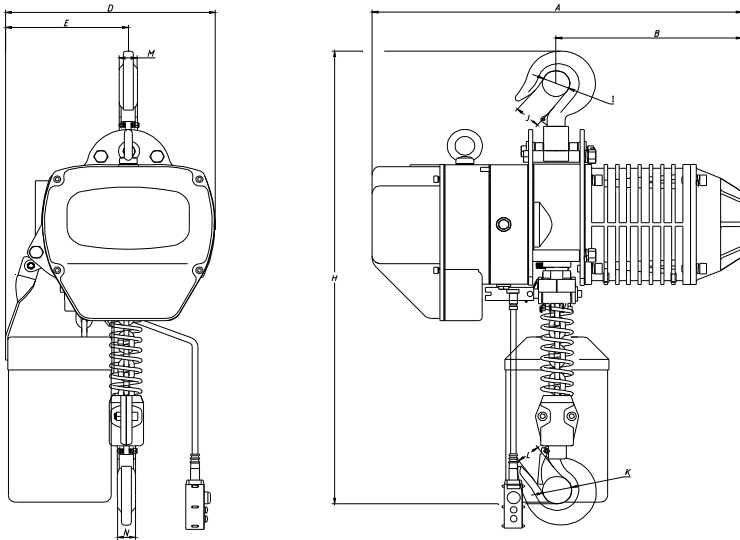


With Hook Suspension (1 phase capacitor motor)

1Ton-2Ton



Specifications

Type	Capacity (t)	Lifting Speed (m/min)		Standard Lift (m)	Lifting Motor		Load Chain Diameter (mm) ×chain falls	Test Load (t)	Weight (kg)	Additional Weight per 1m Lift (kg)
		50Hz	60Hz		Power (kw)	Rotation Speed (r/min)				
SRM0101S	1	6.8	8.2	3	1.5	1440 (50Hz)	7.1 × 1	1.25	61	1.1
SRM0202S	2	3.4	4.1		1.5	1728 (60Hz)	7.1 × 2			

Dimensions (mm)

Type	Capacity (t)	Headroom	A	B	D	E	I	J	K	L	M	N
		H										
SRM0101S	1	650	520	260	300	176	Φ40	31	Φ40	31	22	22
SRM0202S	2	835	520	260	300	236	Φ47	38	Φ47	38	30	30

shell materil is aluminum alloy

only with hook suspension type for single phase with capacitor motor, but none with electric trolley type

continuous working time is 30 min