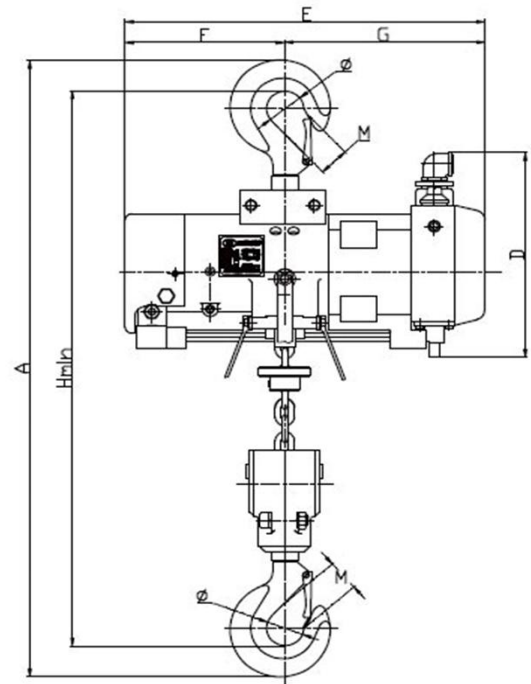
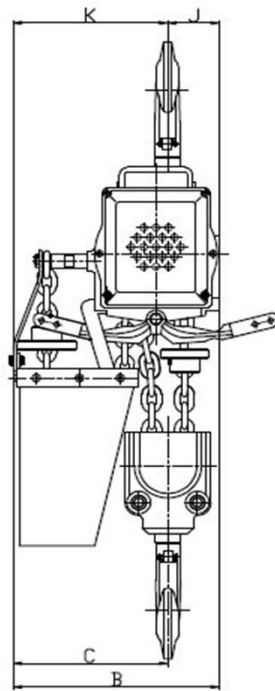


Air hoists (with hook suspension)

0.125t-32t



Specifications

Type	Capacity (t)	Lifting Speed (m/min)				Stand ard Lift(m)	Lifting Motor		Load Chain Diameter (mm)× chain falls	Working pressure [bar(kg/ cm ²)]	Air consump tion (m ³ / min)	Air inlet connecti on (in)	Hose diameter(ID)(mm)	Noise rated load(db)		Test Load (t)	Weight (kg)	Classific ation	Working medium
		no load		rated load			Power (kw)	Rotation Speed (r/min)						up	down				
		up	down	up	down														
ACH0012501S	0.125	35	23	20.0	34.0	3	0.75	1440 (50Hz) 1728 (60Hz)	6	1	Rc 1/2	12	76	79	0.16	23	M3	compres sed air	
ACH002501S	0.25	30	20	15	30		0.75			6 × 1	1	Rc 1/2	12	76	79	0.3125			23
ACH00501S	0.5	20	14	10.0	20.0		0.75			6 × 1	1.3	Rc 1/2	12	76	79	0.63			23
ACH009802S	0.98	9	7	5	10		0.75			6 × 2	1.3	Rc 1/2	12	76	79	1.225			30
ACH0101S	1	8	4.5	4.0	9.0		0.75			7 × 1	1.5	Rc 1/2	12	77	79	1.25			35
ACH0202S	2	5	2.5	2	4.5		0.75			7 × 2	1.5	Rc 1/2	12	77	79	2.5			41
ACH0301S	3	6	5.5	3.5	8.0		3.5			13 × 1	5.5	Rc 3/4	25	79	79	3.75			110
ACH0303S	3	3	1.5	1.3	3		0.75			7 × 3	1.5	Rc 1/2	12	77	79	3.75			50
ACH0502S	5	3.3	3.5	2.0	5.0		3.5			13 × 2	5.5	Rc 3/4	25	79	79	6.25			122
ACH0602S	6	3	2.8	1.8	5		3.5			13 × 2	5.5	Rc 3/4	25	79	79	7.5			122
ACH0903S	9	2	1.5	1.2	3.0		3.5			13 × 3	5.5	Rc 3/4	25	79	79	11.25			145
ACH1002S	10	2.8	/	1.4	3.2		3.5			16 × 2	5.5	Rc 3/4	25	78	80	12.5			380
ACH1004S	10	2	1.3	1.0	2.0		3.5			13 × 4	5.5	Rc 3/4	25	79	79	12.50			145
ACH1204S	12	1.5	1.3	1	2		3.5			13 × 4	5.5	Rc 3/4	25	79	79	15			165
ACH1603S	16	1.8	/	0.9	1.9		3.5			16 × 3	5.5	Rc 3/4	25	78	80	20.00			436
ACH2004S	20	1.4	/	0.7	1.6		3.5			16 × 4	5.5	Rc 3/4	25	78	80	25			480
ACH2505S	25	1.1	/	0.6	1.3	3.5	16 × 5	5.5	Rc 3/4	25	78	80	31.25	560					
ACH3206S	32	0.9	/	0.5	1.1	3.5	16 × 6	5.5	Rc 3/4	25	78	80	40	640					

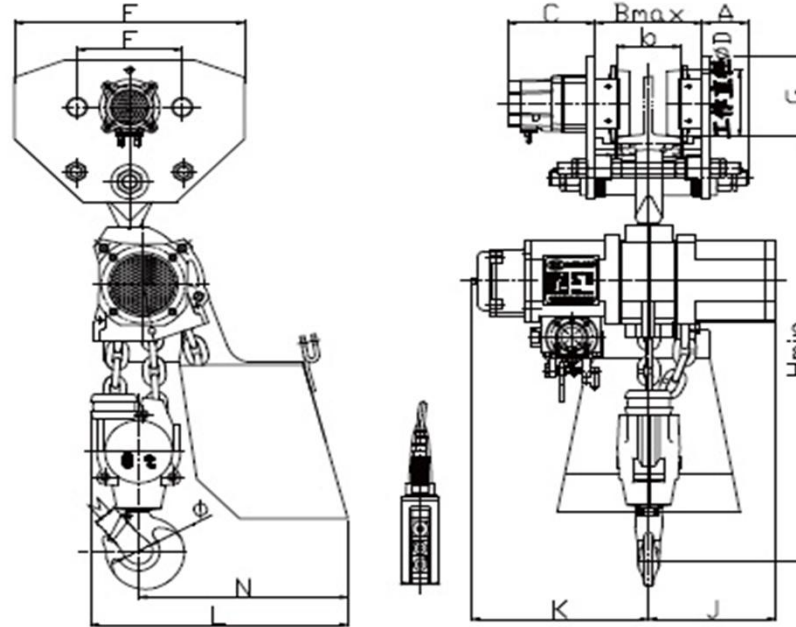
Dimensions (mm)

Type	Capacity (t)	Head room H	A	B	C	D	E	F	G	J	K	Φ	M
ACH0012501S	0.125	440	492	210	173	229	363	160	203	42.5	167.5	34	27
ACH002501S	0.25	440	492	210	173	229	363	160	203	42.5	167.5	34	27

ACH00501S	0.5	440	492	210	173	229	363	160	203	42.5	167.5	34	27
ACH009802S	0.98	440	492	210	173	229	363	160	203	42.5	167.5	34	27
ACH0101S	1	468	520	268	200	229	428	225	203	54	214	40	32
ACH0202S	2	540	624	268	200	229	428	225	203	54	214	48	38
ACH0301S	3	728	824	470	397	258	571	236	335	65.5	404.5	56	45
ACH0303S	3	676	814	434	293	229	428	225	203	54	284	56	45
ACH0502S	5	800	900	470	397	258	571	236	335	65.5	404.5	56	45
ACH0602S	6	800	900	470	397	258	571	236	335	65.5	404.5	56	45
ACH0903S	9	970	1097	680	546	258	571	236	335	145	535	63	50
ACH1002S	10	970	1100	545	424	310	646	310	336	90	455	63	50
ACH1004S	10	950	1075	790	592	258	571	236	335	197.5	592.5	63	50
ACH1204S	12	950	1075	790	592	258	571	236	335	197.5	592.5	63	50
ACH1603S	16	1150	1260	318	174	310	764	370	394	151	167	71	56
ACH2004S	20	1150	1260	318	159	310	764	370	394	151	167	71	56
ACH2505S	25	1600	1770	428	256	310	764	370	394	151	277	90	71
ACH3206S	32	1600	1770	428	256	310	764	370	394	151	277	90	71

Air Chain Hoists (with air trolley)

0.125t-32t



Specifications

Type	Capacity (t)	Lifting Speed (m/min)				Standard Lift(m)	Lifting Motor		Load Chain Diameter (mm)× chain falls	Working pressure [bar (kg/cm ²)]	Air consumption (m ³ /min)	Air inlet connection (in)	Hose diameter (ID)(mm)	Noise rated load (db)		Traversing Mechanism						Test Load (t)	Weight (kg)	Classification	Working medium									
		no load		rated load			Power (kw)	Rotation Speed (r/min)						up	down	Power (kw)	Rotation Speed (r/min)	Traversing Speed (m/min)	Air consumption (m ³ /min)	Air inlet connection (in)	Hose diameter (ID)(mm)													
		up	down	up	down																													
ACH0012501S	0.125	35	23	20.0	34.0	3	0.75	1440 (50Hz) 1728 (60Hz)	6 × 1	6	1	Rc 1/2	12	76	79	0.25	1440 (50Hz) 1728 (60Hz)	9.5	0.45	Rc 1/4	G 1/2	0.16	48	M3	compressed air									
ACH002501S	0.25	30	20	15	30		0.75																			6 × 1	1	Rc 1/2	12	76	79	0.3	0.63	48
ACH00501S	0.5	20	14	10.0	20.0		0.75																			6 × 1	1.3	Rc 1/2	12	76	79	12	1.225	48
ACH009802S	0.98	9	7	5	10		0.75																			6 × 2	1.3	Rc 1/2	12	76	79	9.5	1.25	62
ACH0101S	1	8	4.5	4.0	9.0		0.75																			7 × 1	1.5	Rc 1/2	12	77	79	9	2.5	62
ACH0202S	2	5	2.5	2	4.5		0.75																			7 × 2	1.5	Rc 1/2	12	77	79	10	3.75	168
ACH0301S	3	6	5.5	3.5	8.0		3.5																			13 × 1	5.5	Rc 3/4	25	79	79	0.6	3.75	88
ACH0303S	3	3	1.5	1.3	3		0.75																			7 × 3	1.5	Rc 1/2	12	77	79	10	6.25	246
ACH0502S	5	3.3	3.5	2.0	5.0		3.5																			13 × 2	5.5	Rc 3/4	25	79	79	0.6×2	7.5	264
ACH0602S	6	3	2.8	1.8	5		3.5																			13 × 2	5.5	Rc 3/4	25	79	79	5.3	11.25	358
ACH0903S	9	2	1.5	1.2	3.0		3.5																			13 × 3	5.5	Rc 3/4	25	79	79	10	12.5	570
ACH1002S	10	2.8	/	1.4	3.2		3.5																			16 × 2	5.5	Rc 3/4	25	78	80	0.7	12.50	570
ACH1004S	10	2	1.3	1.0	2.0		3.5																			13 × 4	5.5	Rc 3/4	25	79	79	0.25×2	12.50	358
ACH1204S	12	1.5	1.3	1	2		3.5																			13 × 4	5.5	Rc 3/4	25	79	79	0.25×2	15	358

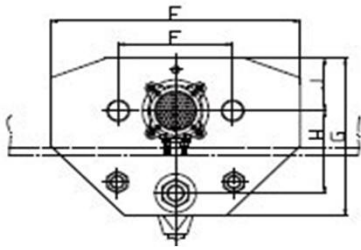
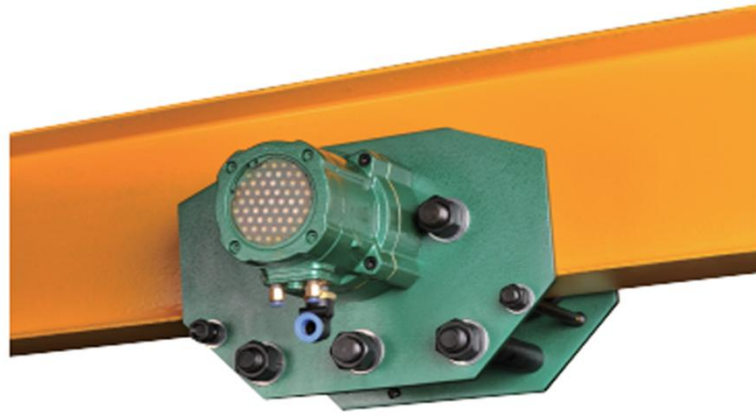
ACH1603S	16	1.8	/	0.9	1.9		3.5		16 × 3		5.5	Rc 3/4	25	78	80	0.7		5				20.00	688	
ACH2004S	20	1.4	/	0.7	1.6		3.5		16 × 4		5.5	Rc 3/4	25	78	80				5	1.3			25	688
ACH2505S	25	1.1	/	0.6	1.3		3.5		16 × 5		5.5	Rc 3/4	25	78	80	0.7×2		6				31.25	880	
ACH3206S	32	0.9	/	0.5	1.1		3.5		16 × 6		5.5	Rc 3/4	25	78	80				5				40	988

Dimensions (mm)

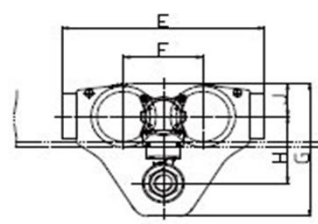
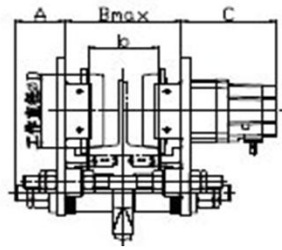
Type	Capacity (t)	Headroom		A	B	C	D	E	F	G	J	K	L	M	N	Φ	I-beam	Min. Turning Radius
		H																
ACH0012501S	0.125	450		48	166	160	90	320	154	120	160	203	210	27	173	34	80-116	2800
ACH002501S	0.25	450		48	166	160	90	320	154	120	160	203	210	27	173	34		
ACH00501S	0.5	450		48	166	160	90	320	154	120	160	203	210	27	173	34		
ACH009802S	0.98	470		48	166	160	90	320	154	120	160	203	210	27	156	34		
ACH0101S	1	565		48	166	160	90	320	154	120	225	203	268	32	200	40		
ACH0202S	2	565		48	166	160	90	320	154	120	225	203	268	38	200	48	110-146	3300
ACH0301S	3	780		115	231	162	134	428	196	162	236	335	470	45	397	56		
ACH0303S	3	676		814	434	293	229	428	225	203	54	284	470	45	397	56		
ACH0502S	5	910		115	326	168	165	500	236	198	236	335	470	45	397	56		
ACH0602S	6	910		115	326	168	165	500	236	198	236	335	470	45	397	56		
ACH0903S	9	966		115	326	168	165	1030	530	198	236	335	680	50	546	63	200-250	3300
ACH1002S	10	1050		1100	370	284	165	626	246	195	310	336	545	50	424	63		
ACH1004S	10	966		115	326	168	165	1030	530	198	236	335	790	50	592	63		
ACH1204S	12	966		115	326	168	165	1030	530	198	236	335	790	50	592	63		
ACH1603S	16	1125		168	372	320	185	650	274	220	370	394	318	56	174	71		
ACH2004S	20	1125		168	372	320	185	650	274	220	370	394	318	56	159	71		
ACH2505S	25	1180		228	472	320	185	1327	627	220	370	394	852	71	672	90	400	/
ACH3206S	32	1180		228	472	320	185	1327	627	220	370	394	852	71	672	90		

ACH0202S	2	/	/	/	/	/	/	/	/	/	/	/	/	/	/	/
ACH0303S	3	600	115	231	162	134	428	196	162	225	203	268	45	200	56	110-146
ACH0602S	6	550	115	326	168	165	1007	597	198	236	335	470	45	397	56	200-250
ACH1004S	10	727	115	326	168	165	1302	688	198	236	335	/	50	655	63	
ACH1204S	12	727	115	326	168	165	1302	688	198	236	335	/	50	655	63	200-300
ACH1603S	16	750	168	372	320	185	1398	725	230	370	394	/	56	810	71	
ACH2004S	20	750	168	372	320	185	1398	725	230	370	394	/	56	810	71	

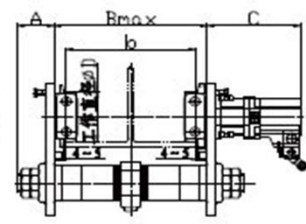
Pneumatic Air Motor Trolley 1t-16t



1-16T



10-20T



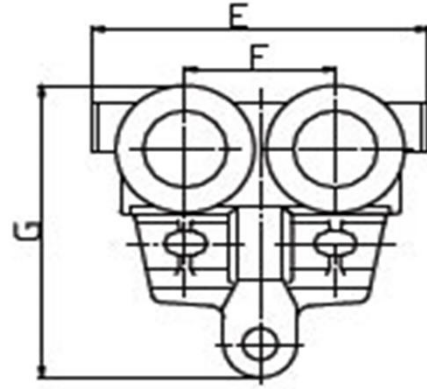
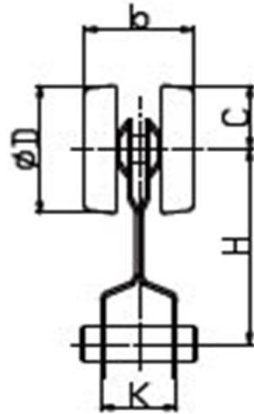
Specifications

Type	Capacity (t)	Rated Load Speed (m/min)	Lifting Motor		Working pressure [bar(kg/cm ²)]	Air consumption (m ³ /min)	Air inlet connection (in)	Hose diameter (ID)(mm)	Hose diameter (ID)(mm)	Weight (kg)	Noise rated load(db)	Classification	Working medium	
			Power (kw)	Rotation Speed (r/min)										
AT01	1	12	0.25	1440 (50Hz) 1728 (60Hz)	6	0.3	Rc 1/4	12	G 1/2	28	80	M3	compressed air	
AT02	2	9.5	0.25			0.45				12				28
AT03	3	9	0.25			0.45				25				63
AT05	5	10	0.25			0.6				25				130
AT06	6	10	0.25			0.6				25				130
AT10	10	5.3	0.7			1				25				200
AT16	16	5	0.7			1.3				25				260
AT20	20	5	0.7			1				25				260

Dimensions (mm)

Type	Capacity (t)	Headroom	A	B	C	D	E	F	G	H	J	I-beam	Min. Turning Radius
		H											
AT01	1	148	48	166	160	90	320	154	205	100	75	80-116	2800
AT02	2	148	48	166	160	90	320	154	205	100	75	80-116	2800
AT03	3	148	115	231	162	134	428	196	285	150	95	110-146	3300
AT05	5	/	115	326	168	165	500	236	354	185	115	200-250	3300
AT06	6	148	115	326	168	165	500	236	354	185	115	200-250	3300
AT10	10	/	115	370	284	165	626	246	440	220	110	200-300	4500
AT16	16	/	168	372	320	185	650	274	530	270	125	250-300	6150
AT20	20	/	168	372	320	185	650	274	530	270	125	250-300	6150

Manual Trolley
Walking with KBK Trolley
0.15t-0.6t

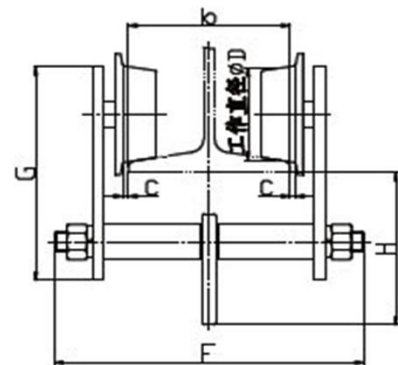
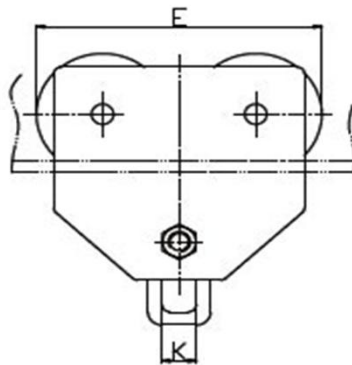


0.15-0.3T

Dimensions (mm)

Type	Capacity (t)	Headroom H	C	ΦD	E	F	G	K	I-beam
KBKT0015	0.15	84	42	55	133	60	126	30	43
KBKT003A	0.3	120	65	80	174	86	185	38	77
KBKT003B	0.3	84	42	55	383	250	126	30	43
KBKT006	0.6	120	65	80	423	250	185	38	77

Walking with I-beam Trolley
0.5t-10t



0.5-10T

Dimensions (mm)

Type	Capacity (t)	Headroom	C	ΦD	E	F	G	K	I-beam
		H							
PT005	0.5	114	3	90	170	177	187	24	68-94
PT10	1	119	3	90	206	194	206	24	68-100
PT20	2	140	3	90	240	235	243	30.5	94-124
PT30	3	212	3	134	282	275	321	45	100-140
PT50	5	245	3	154	327	338	392.5	60	124-180
PT100	10	320	5	165	389	362	489.5	82	142-180