

Air hoists (with hook suspension)

PFOFI 025TI-2TI

Explosion-proof classification

The standard configuration : EXII2GDIIAT4/II3GDIIBT4

Enhance fireproof flower protection configuration : EXII2GDIIBT4

Enhance the protection of fireproof flowers, used for explosion-proof group

IIC configuration : EXII2GDIICT4

Technical parameters

Model	Unit	025 TI		05 TI		1 TI		1,5 TI		2 TI	
Air pressure	bar	4	6	4	6	4	6	4-6	4	6	6
Lift capacity	T	0,16	0,25	0,32	0,5	0,63	1	1,6	1,25	2	2
chain number		1						2			
Motor output	kW	0,6	1,0	0,6	1,0	0,6	1,0	1,3-2	0,6	1,0	1,0
Full load lifting speed	m/min	20		10		11		5		5,5	
emptylifting speed	m/min	37,5	42	16	19	10	11	8,4-10	5	5,5	5,5
Full load of descent	m/min	38		17		10		11		43781	
Full load air consumption - lifting	m ³ /min	0,7	1,2	0,7	1,2	0,7	1,2	1,5-2,6	0,7	1,2	1,2
Full load gas consumption - on descent	m ³ /min	0,8	1,5	0,8	1,5	0,8	1,5	2,2-3,6	0,8	1,5	1,5
Tracheal joint		G 1/2						G 3/4		G 1/2	
Piping dimensions (internal/external)	mm	13						19		13	
Standard weight (excluding controller)	kg	27				27,5		622		56	
Chain size	mm	7 x 21						9 x 27		7 x 21	
Weight of chain per meter	kg	1,0						1,8		1,0	
Lift height	m	3						2			
Standard controller pipe length	m	3						2			
Full load noise with silencer - lift 1	dB	73	74	75	74	76	73-77	74	76	76	76
Full load noise with silencer - descend 1	dB	77	78	77	78	77	78	78-80	77	78	78



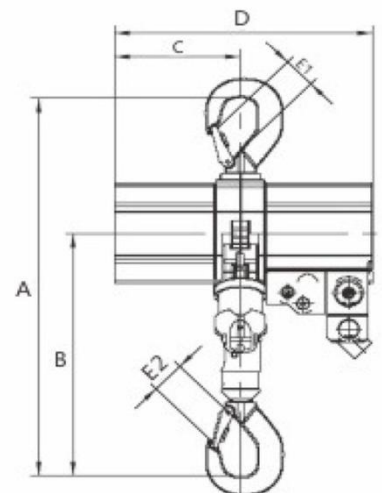
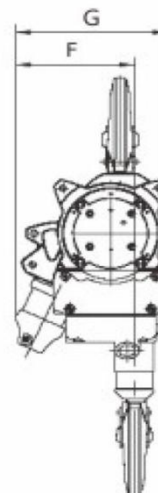
• Overload protection

Measure DIN45635, section 20 from 1 m

6bar mechanical fatigue rating: PROFI025TI M5(2m)

Size(mm)

		025 TI	05 TI	1 TI	1,5 TI	2 TI
A 1 low headroom 1	mm	450		480		498
B	mm	288		293		336
C	mm	145		200		145
D	mm	297		412		297
E1	mm	28				
E2	mm	28		26		28
F To the center of the hook	mm	137		170		137
G Max width	mm	176		215		183



Air hoists (with hook suspension)

PFOFI 1.5TI-3TI/2

Explosion-proof classification

The standard configuration : EXII2GDIIAT4/II3GDIIIBT4

Enhance fireproof flower protection configuration : EXII2GDIIIBT4

Enhance the protection of fireproof flowers, used for explosion-proof group

IIC configuration : EXII2GDIICT4

Technical parameters

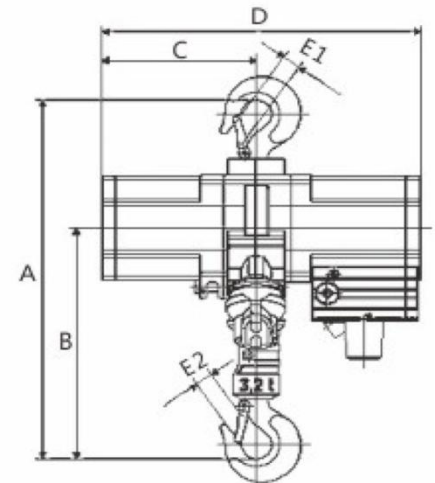
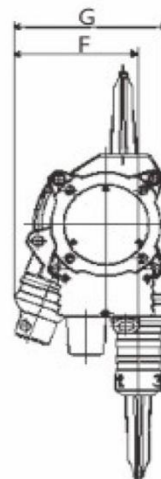
Model	Unit	1.5TI	3TI / 2
Air pressure	bar	4-6	4/6
Lift capacity	T	1.6	3,2
chain number		1	2
Motor output	kW	1,3-2	1,3-2
Full load lifting speed	m/min	4-6	2-3
emptylifting speed	m/min	8.4-10	4,2-5
Full load of descent	m/min	11-12	5,5-6
Full load air consumption - lifting	m ³ /min	1.5-2.6	1,5-2,6
Full load gas consumption - on descent	m ³ /min	2.2-3.6	2,2-3,6
Tracheal joint		G 3/4	G 3/4
Piping dimensions (internal/external)	mm	19	19
Standard weight (excluding controller)	kg	56	66
Chain size	mm	9 x 27	9 x 27
Weight of chain per meter	kg	1,8	1,8
Lift height	m	3	3
Standard controller pipe length	m	2	2
Full load noise with silencer - lift 1	dB	73-77	73-77
Full load noise with silencer - descend 1	dB	78-80	78-80



Measured value from 1 meter position,
according to DIN 45635 part 20

Size(mm)

型号		1.5TI	3TI / 2
A 1 low headroom 1	mm	480	544
B	mm	293	356
C	mm	200	200
D	mm	412	412
E1	mm	28	28
E2	mm	26	28
F To the center of the hook	mm	170	140
G Max width	mm	215	215



Air hoists (with hook suspension)

PFOFI 3TI-20TI

Explosion-proof classification

The standard configuration : EXII2GDIIAT4/II3GDIIBT4

Enhance fireproof flower protection configuration : EXII2GDIIBT4

Enhance the protection of fireproof flowers, used for explosion-proof group

IIC configuration : EXII2GDIICT4



Technical parameters

Model	Unit	3 TI	6 TI	10 TI	16 TI	20 TI
Air pressure	bar	4 / 6	4 6	4 6	4 6	4 6
Lift capacity	T	3,2	6,3	10	16	20
chain number		1	2	3	4	
Motor output	kW	1,8 3,5	1,8 3,5	1,8 3,5	1,8 3,5	1,8 3,5
Full load lifting speed	m/min	2,5 5	1,2 2,5	0,8 1,6	0,5 1	0,4 0,7
emptylifting speed	m/min	6 10	3 5	2 3,2	1,3 2	1,0 1,4
Full load of descent	m/min	7,5 10,8	3,6 5,4	2,5 3,4	1,6 2,1	1,2 1,6
Full load air consumption - lifting	m ³ /min	2 4	2 4	2 4	2 4	2 4
Full load gas consumption - on descent	m ³ /min	3,5 5,5	3,5 5,5	3,5 5,5	3,5 5,5	3,5 5,5
Tracheal joint		G 3/4				
Piping dimensions (internal/external)	mm	19				
Standard weight (excluding controller)	kg	86	110	156	240	285
Chain size	mm	13x36			16x45	
Weight of chain per meter	kg	3,8			5,8	
Lift height	m	3				
Standard controller pipe length	m	2				
Full load noise with silencer - lift 1	dB	74	78	74 78	74 78	74 78
Full load noise with silencer - descend 1	dB	79	80	79 80	79 80	79 80

Size(mm)

		3 TI	6 TI	10 TI	16 TI	20 TI
A 1 low headroom 1	mm	593	674	813	898	1030
B	mm	373	454	548	598	670
C	mm	233	308	382		
D	mm	483	575	692		
E1	mm	40	44	53	70	
E2	mm	30	40	44	53	70
F To the center of the hook	mm	187	154	197	199	180
G Max width	mm	233	306	308	315	

