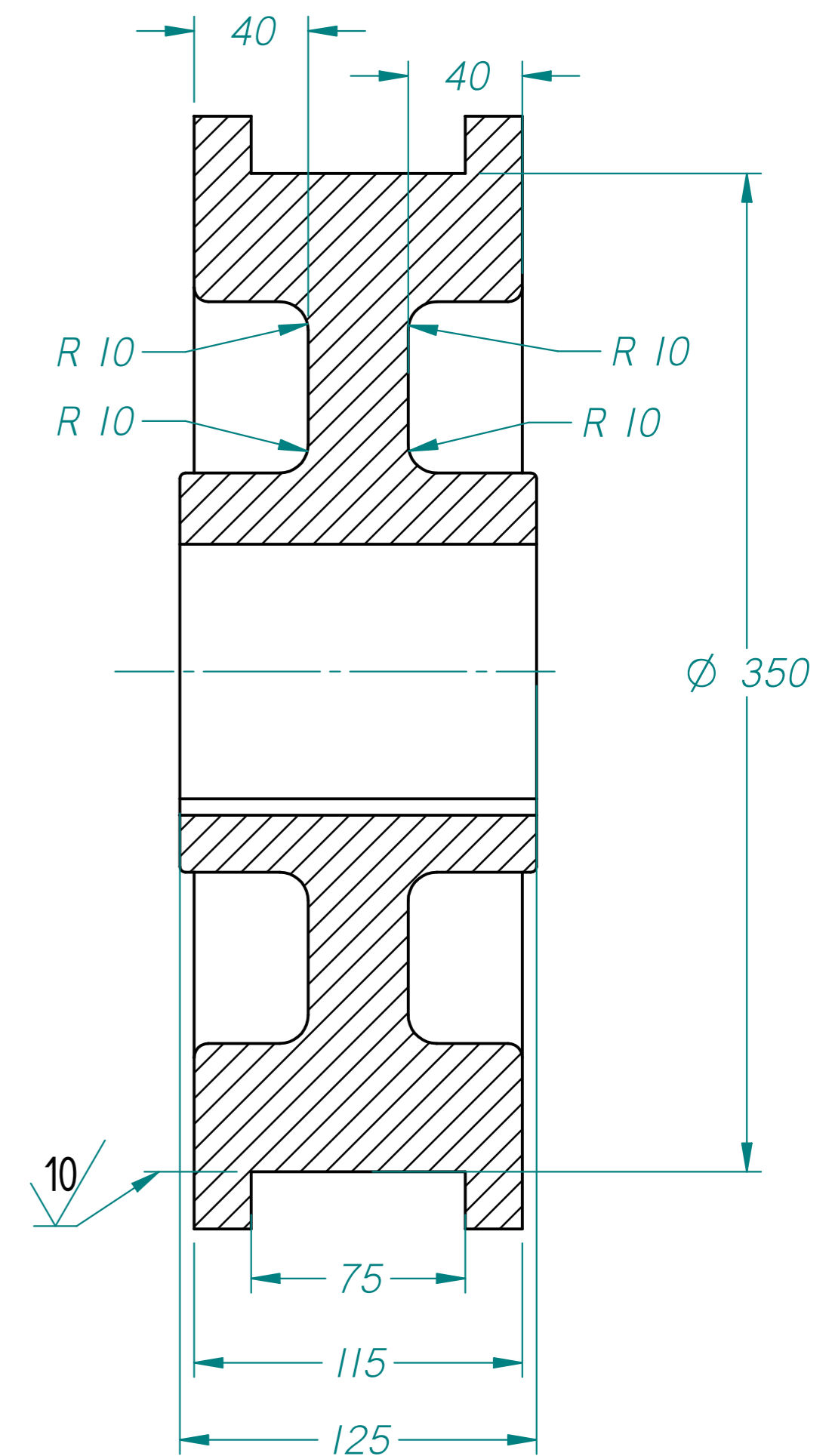
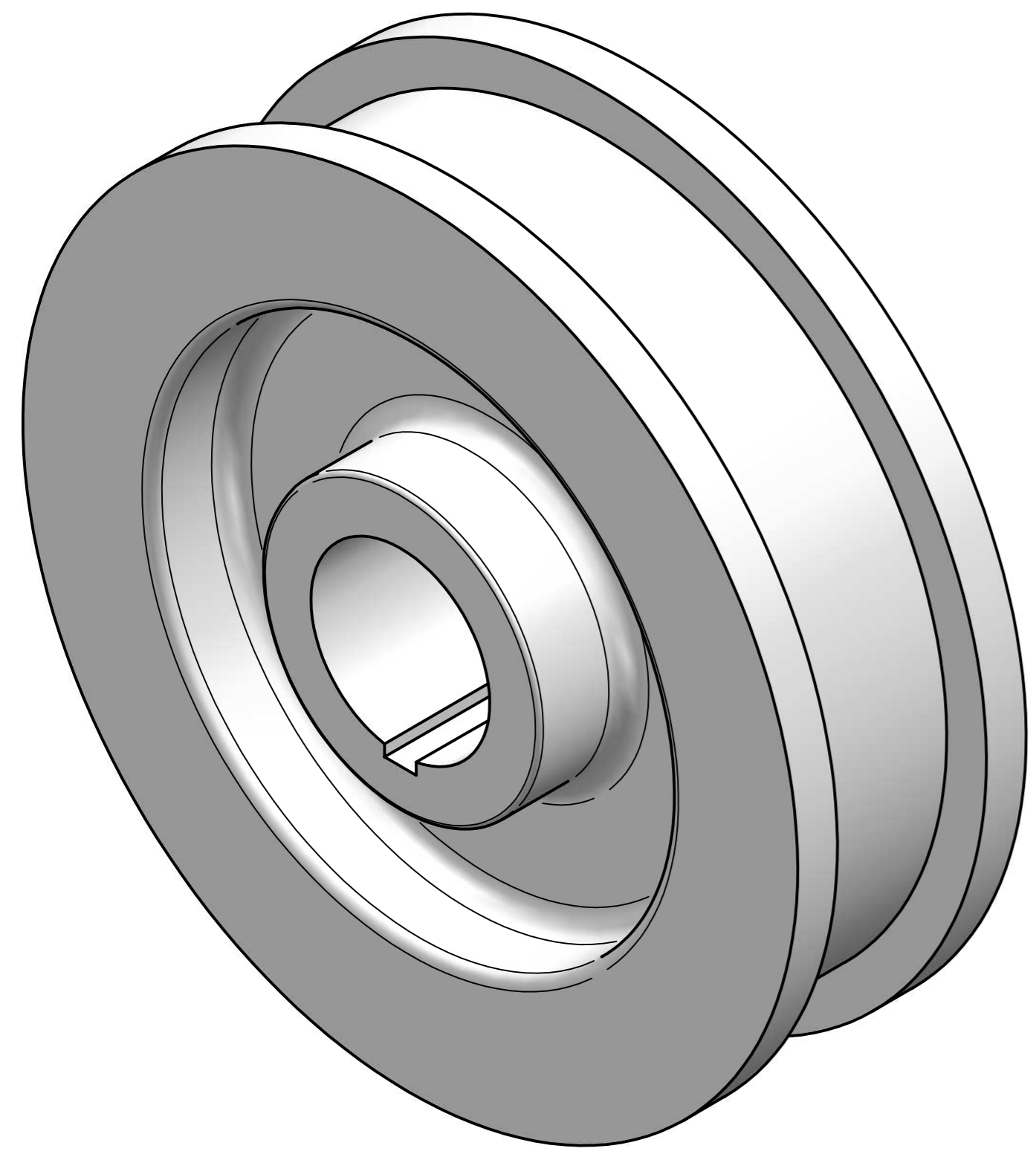
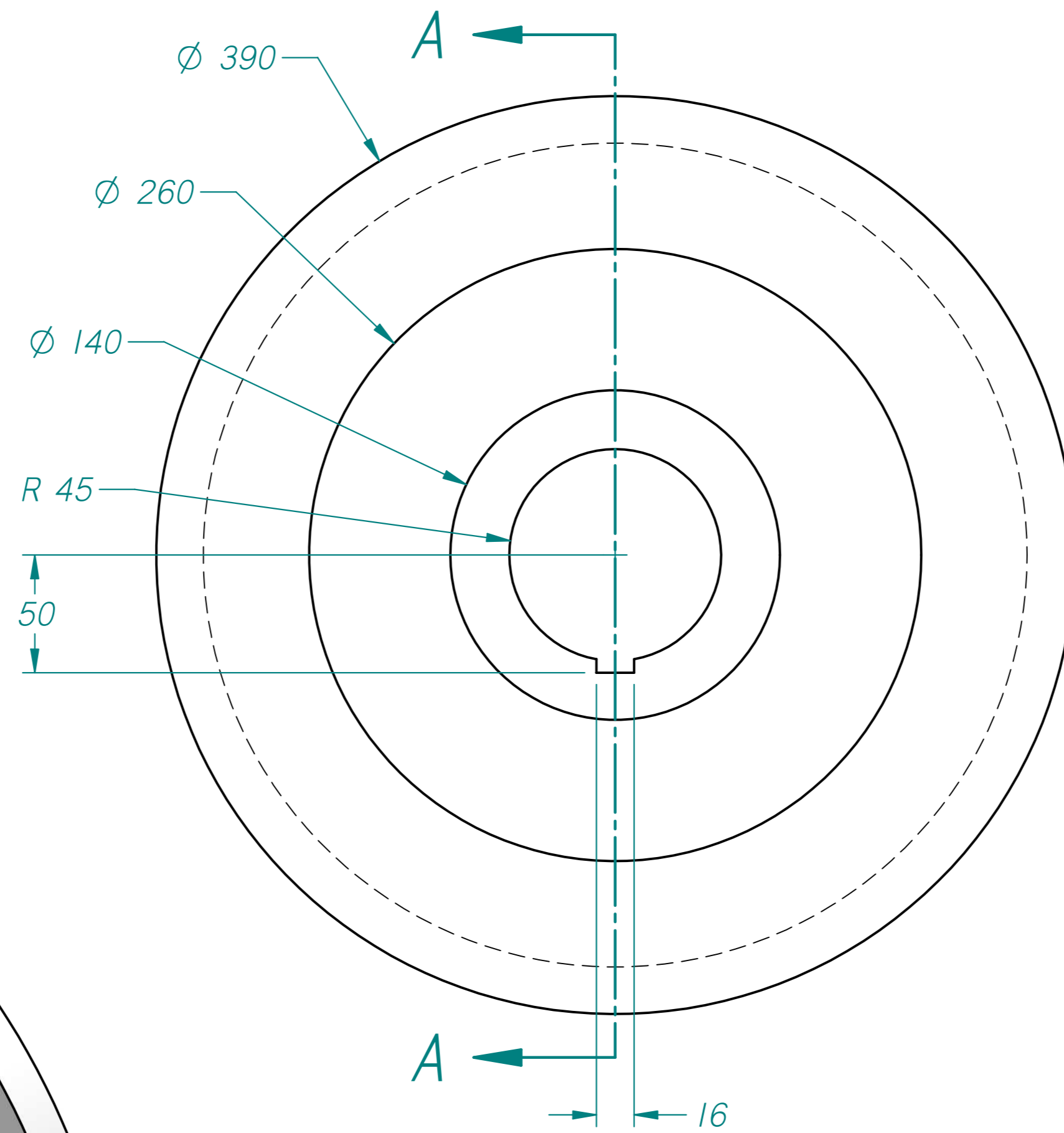


REVISION HISTORY			
REV	DESCRIPTION	DATE	APPROVED



SECTION A-A

	NAME	DATE		
DRAWN		08/04/21		
CHECKED				
ENG APPR				
MGR APPR				
UNLESS OTHERWISE SPECIFIED DIMENSIONS ARE IN MILLIMETERS ANGLES ±X.X° 2 PL ±X.XX 3 PL ±X.XXX			TITLE	Wheel GGG70
			SIZE	A2
			DWG NO.	AS-16TX20m-EC14
			FILE NAME:	AS-BC16TX20m-EC14-R1.dft
			SCALE:	WEIGHT: 64Kg
			REV	0
			QTY.	4
			SHEET	1 OF 1