

ZD 系列

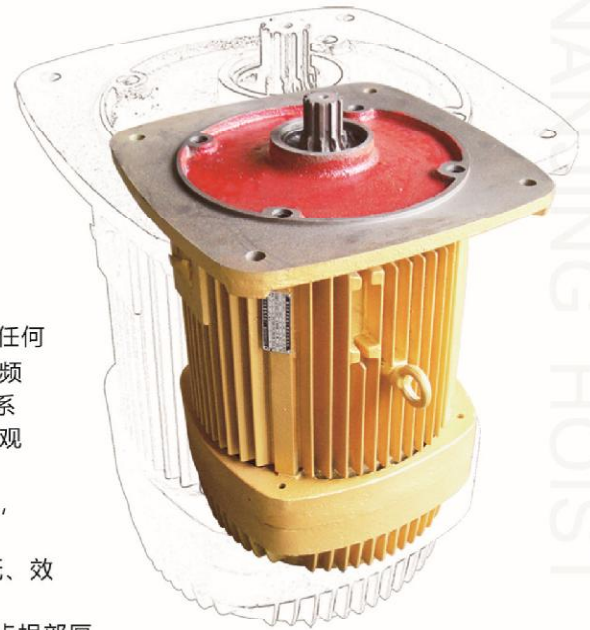
方型锥形转子三相异步电动机

ZD square conical rotor three-phase asynchronous motor

产品特性：

ZD 方型锥形转子三相异步电动机是电动葫芦的起升电机，不附加任何电磁设备，具有自动刹车功能。本系列电机起动力矩大、制动可靠、可频繁起动，适合环境温度高、高扬程场合。已通过 ISO9001 国际质量体系认证。本系列电机适用于欧式电动葫芦，前盖法兰、机座均为方形，外观新颖，主要特点有：

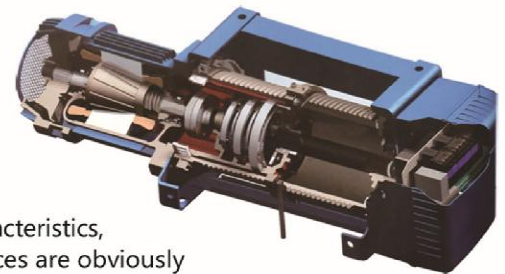
- 1、电机直接和内置于葫芦卷筒的行星减速机联接，无中间传动轴，结构紧凑，可保证电动葫芦功效高、运转平稳、噪音低、不漏油；
- 2、电机防护等级采用 IP54，刹车采用无石棉制动环，刹车噪音低、效果好、材料环保、不受潮，可适用于室外作业；
- 3、电机轴选用特型钢，加工工艺先进，采用渐开线花键，齿端、齿根部厚、承载能力强、安装精度高，避免花键磨损、轴断现象；
- 4、加装过热保护装置，当电机因电路缺项、电流电压异常、过度频繁起动、超载等状态造成电机温度过高时，会自动切断电路以保护电机不被损坏；
- 5、电机定、转子铁芯采用冷轧矽钢片（7.5KW 铁芯加长 20%），空载特性、负载性能、起动特性等技术性能明显优于其他型锥形电机。



Product Characteristics:

ZD square conical rotor three-phase asynchronous motor is a hoist motor used in electric hoist. The series of motors have automatic braking function without any additional electromagnetic equipment. The motor has the characteristics of large starting torque, reliable braking, and frequent starting, which is suitable for occasions with high ambient temperature and high lift. In addition, it has passed ISO9001 international quality system certification. This series of motors is suitable for European electric hoists. The front cover flange and the base are square. Therefore, the appearance is novel. Main features are as follows:

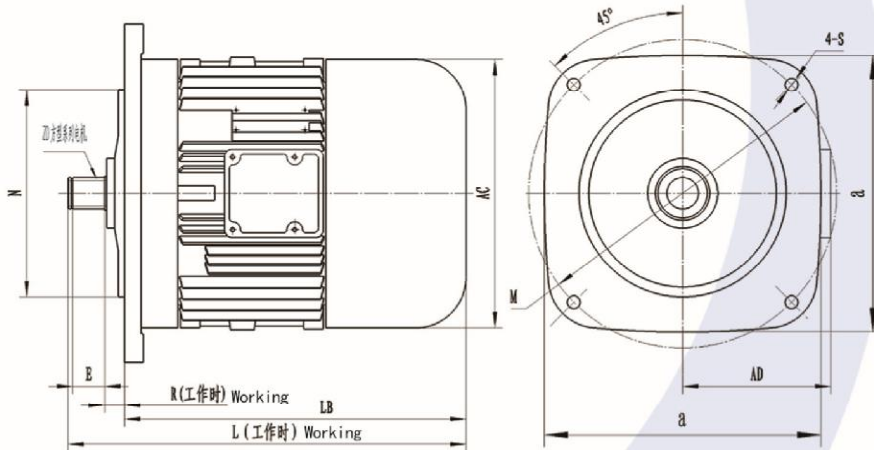
1. Directly connected with the planetary gear reducer which is built in the hoist drum. It has no intermediate drive shaft and compact structure to ensure high efficiency, stable operation, low noise and no oil leakage of electric hoist.
2. Protection grade is IP54. The brakes are made of non-asbestos brake ring, which has low braking noise, good effect, environmentally protection materials and no moisture. It can be applied to outdoor operations.
3. Motor shaft is made of special-shaped steel with advanced processing technology. It adopts involute spline, thick tooth end and tooth root, strong bearing capacity and high installation precision, avoiding spline wear and shaft fracture.
4. When the motor is overheated due to circuit shortage, current and voltage abnormality, excessive frequent start, overload, etc., the installation of the overheat protection device will automatically cut off the circuit to protect the motor from damage;
5. The cores of stator and rotor are made of cold-rolled silicon steel sheets (the core of 7.5kW motor is lengthened by 20%). The no-load characteristics, load performance, starting characteristics and other technical performances are obviously superior to other conical motor.



外形及安装尺寸:

Outline and installation dimension

ZD系列方型电机
ZD series of square motors



基本技术参数:

Basic technical parameters

型号及功率 (kW) Type and power (kW)	安装尺寸及公差 Installation dimensions and tolerances								外形尺寸 outline dimension			
	轴伸 矩形花键 Shaft extension square spline	E	R 工 作 时 Working	N	M	S	axa	凸 缘 孔 数 Number of flange holes	AC	AD	LB	L 工 作 时 Working
ZD ₁ 32-4 4.5	6D-28d9x23x6d11	32.5	20	Φ210h 6	Φ312	Φ13	280x280	4	Φ272	150	362	415
ZD ₁ 41-4 7.5	EXT18zx2mx30Px5d	42	13	Φ245h 6	Φ365	Φ17	335x335		Φ328	170	385	440
ZD ₁ 51-4 13	10D-45h10x37h15x6 d11	42	39	Φ336h 6	Φ470	Φ19	425x425		352x352	175	525	604
ZD ₁ 51-4 15											550	629
ZD ₁ 52-4 18.5											550	629