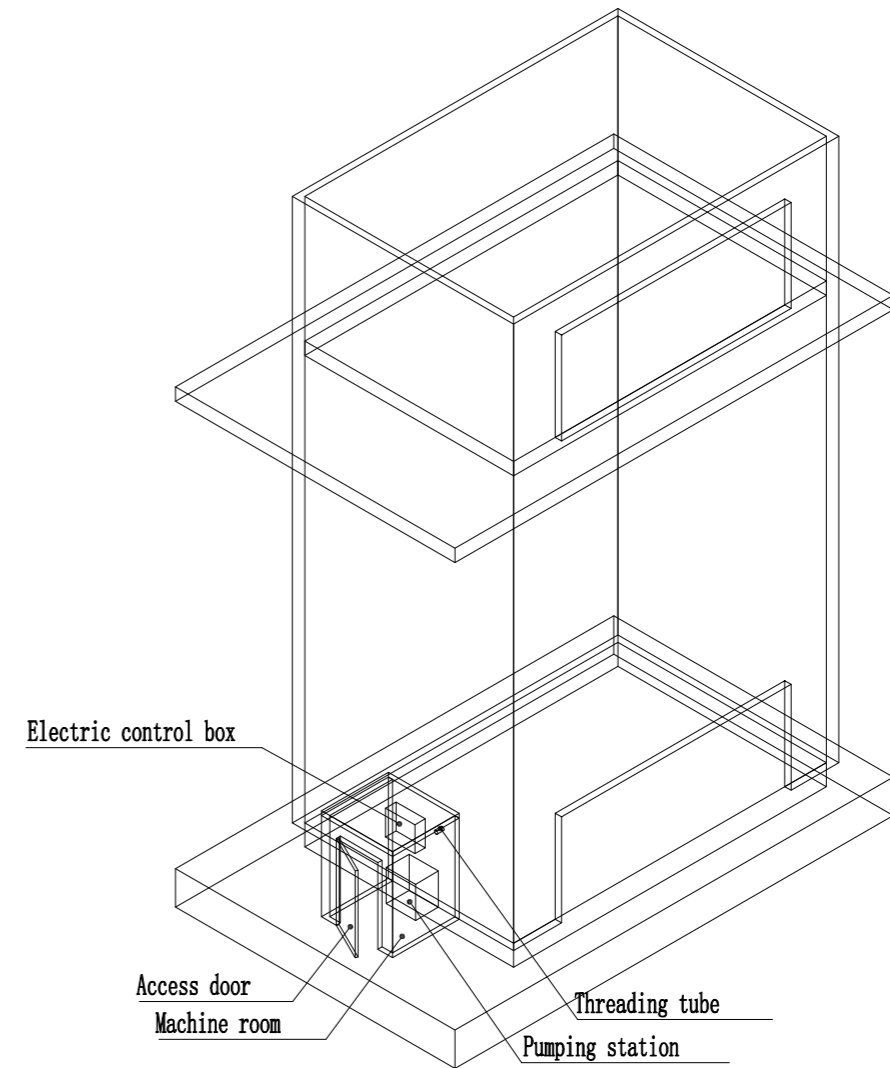


Detailed drawing of piping position



Technical parameters:

1. Dimensions of machine room: 1500\*1500\*2100mm
2. An access door must be reserved in the equipment room: >1000\*1800mm
3. Reserve a threading pipe with a diameter  $\varnothing 80$  to the well room. See the detailed figure for the position

Time	15/03/2023	
Draw	Name	Details of the equipment room and cable pipe
Examination		
proportion 1:95		A3