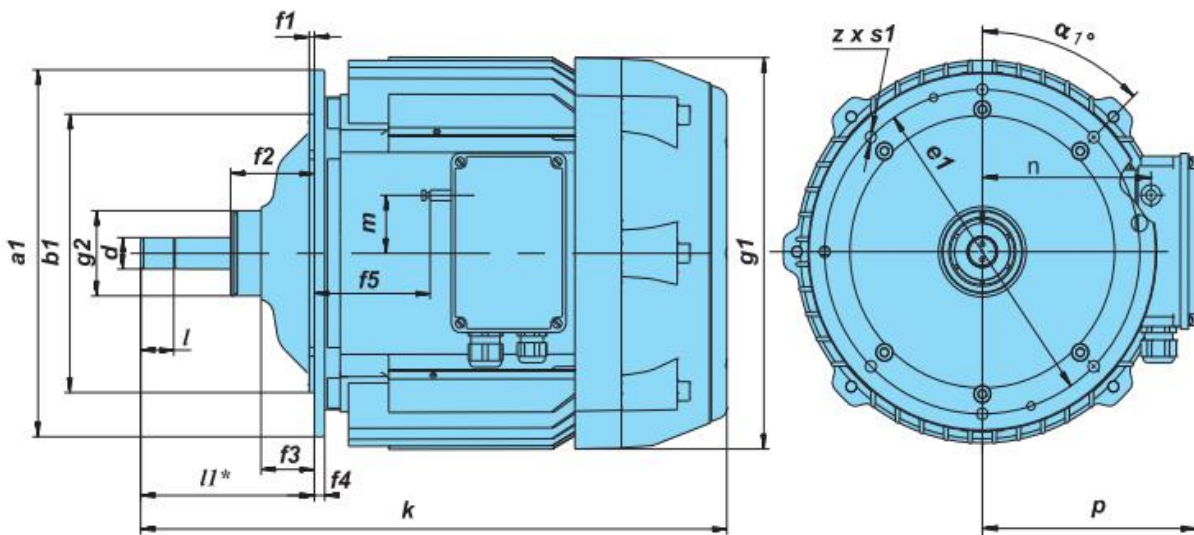


OVERALL DIMENSIONS



Type	DIMENSION																		
	a1	b1	e1	l1*	f1	f2	f3	f4	f5	g1	g2	m	n	k	p	z x s1	a1	d	l
2412	418	325	380	146	5	110	75	12	68	328	105	27	145	491	190	8*13	45	EB40*2*18S3aX	38

Power	Type	Speed of revolution	Duty cycle		Current	Starting torque	Braking torque	Weight
			CD	SF				
kW		min ⁻¹	%	h ⁻¹	A	Nm	Nm	kg
8,0	KGE 2412-6	920	40	240	24,5	132	105	106