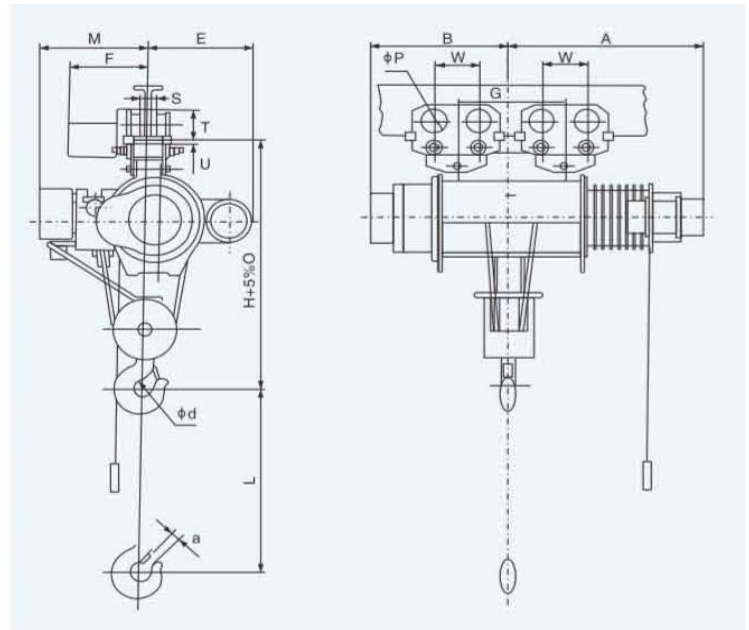
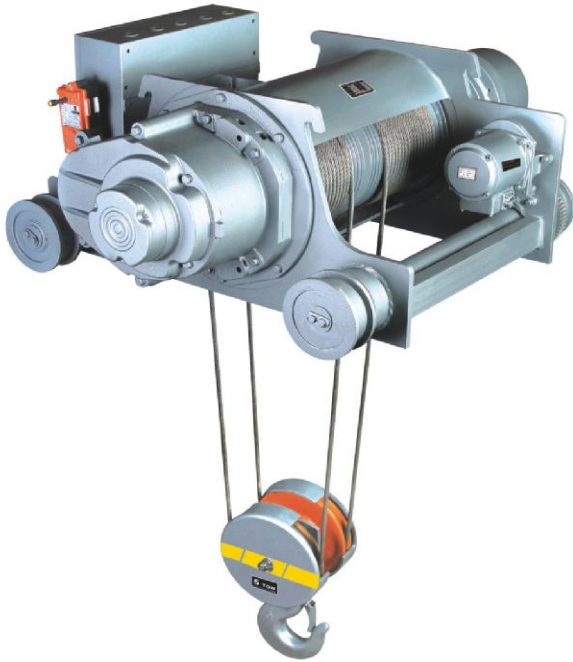




JP electric wire rope hoist (double rail)

**2Ton-20Ton**

**Specifications**

Type	Capacity (t)	Lifting Speed (m/min)		Standard Lift (m)	Lifting Motor		Traversing Motor			Wire Rope Diameter (mm)×falls	Test Load (t)	Rail	Classification	Min. Radius of Ring Rail (m)	Weight (kg)		
		50Hz	60Hz		Power (kw)	Rotation Speed (r/min)	Power (kw)	Rotation Speed (r/min)	Traversing Speed (m/min)								
									50Hz	60Hz							
JP0202S	2	8.4	10.08	9	3	1380 (50Hz) 1656 (60Hz)	0.4	1380 (50Hz) 1656 (60Hz)	14/21	16/25	11.2 × 2	2.5	38 square steel bar or 12kg rail	M4	1.8	/	
JP0302S	3	7.5	9		5.5		0.4				10 × 2				3.75	2	420
JP0504S	5	6.7	8.04		7.5		0.75 × 2				12 × 4				6.25	3	680
JP07504S	7.5	6.7	8.04		9		0.75 × 2				14 × 4				9.375	3	1260
JP1004S	10	5	6		11		1.1 × 2				16 × 4				12.5	straight line	1560
JP1504S	15	2.5	3		13		1.1 × 2				20 × 4				18.75		3150
JP2004S	20	2.5	3		15		1.1 × 2				22.4 × 4				25	3450	

**Dimensions (mm)**

Type	Capacity (t)	Headroom	L	A	B	E	G	M	W	Φd	Φp	a
		H										
JP0202S	2	985	6000	595	435	/	/	/	/	/	/	/
JP0302S	3	1115	6000	755	570	450	310	325	160	71	156/140	42
JP0504S	5	1190	8000	845	690	550	310	425	160	90	156/140	58
JP07504S	7.5	1345	8000	1075	830	315	570	560	230	100	128	69
JP1004S	10	1515	8000	1075	885	355	590	650	230	130	156/140	69
JP1504S	15	1865	8000	1060	750	500	705	820	300	130	190	86
JP2004S	20	2010	12000	1210	900	500	705	900	300	165	190	108