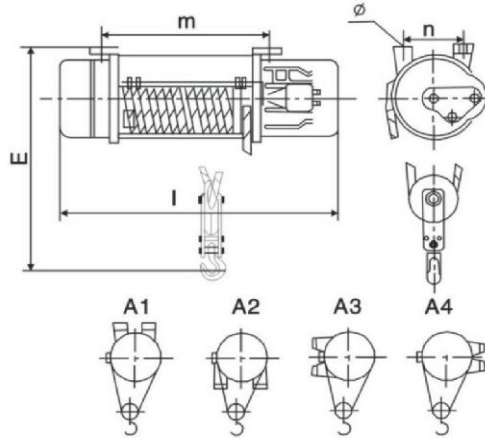
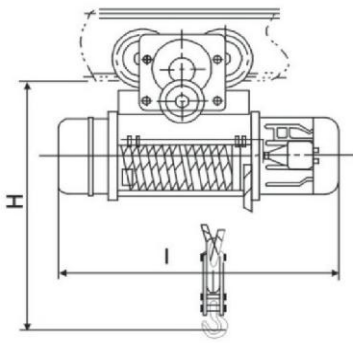


CD1 Electric Wire Rope Hoists
0.5Ton-20Ton

Specifications

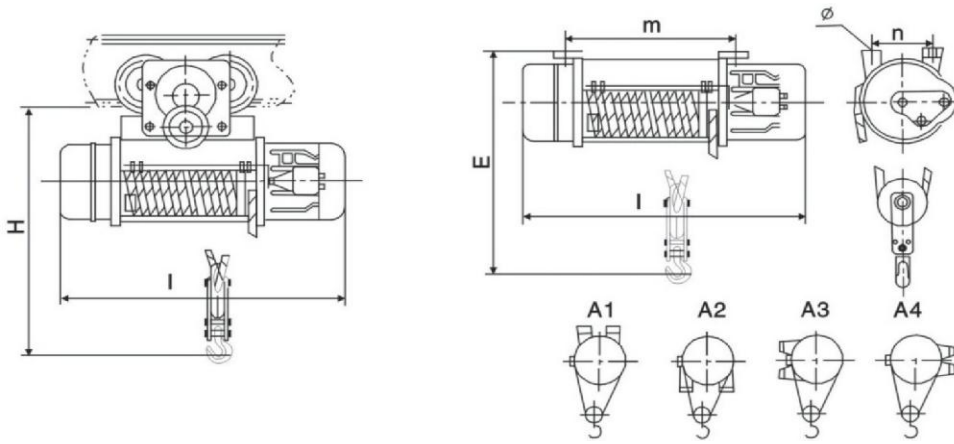
Type	Capacity (t)	Lifting Speed (m/min)		Standard Lift (m)	Lifting Motor		Traversing Motor			Wire Rope Diameter (mm)	Test Load (t)	I - beam (mm)	Classification	Min. Radius of Ring Rail (m)	
		50Hz	60Hz		Power (kw)	Rotation Speed (r/min)	Power (kw)	Rotation Speed (r/min)	Traversing Speed (m/min)						
		50Hz	60Hz						50Hz	60Hz					
CD1-005S	0.5			6	0.8	1380 (50Hz) 1656 (60Hz)	0.2	1380 (50Hz) 1656 (60Hz)	20	24	5	0.625	M3	1.5	
CD1-01S	1				1.5		0.2				7.4	1.25		88-124	1.5
CD1-02S	2	8	10		3.0		0.2				11	2.5		100-152	2
CD1-03S	3				4.5		0.2				12	3.75		100-152	2
CD1-05S	5				7.5		0.5				14	6.25		116-180	2.5
CD1-10S	10	7	8		13		0.5 × 2				14	12.5		142-180	2.5
CD1-16S	16	3.5	4		13		0.8 × 2				18	20		150-178	3.5
CD1-20S	20				13		0.8 × 2				18	25		158-178	3.5

Dimensions (mm)

Type	Capacity (t)	Headroom		I	M	N	Φ	E
		H						
CD1-005S	0.5	865		628	318	190	14.5	795
CD1-01S	1	880		772	404	196	19	805
CD1-02S	2	1035		818	412	240	23	960
CD1-03S	3	1165		963	457	264	25	1080
CD1-05S	5	1305		1082	488	320	31	1210
CD1-10S	10	1450		1513	847	376	38	1200
CD1-16S	16	1900		1814	1148	376	38	1635
CD1-20S	20	2000		1814	1148	376	38	1690

MD1 Electric Wire Rope Hoists

0.5Ton-20Ton



Specifications

Type	Capacity (t)	Lifting Speed (m/min)		Standard Lift (m)	Lifting Motor		Traversing Motor			Wire Rope Diameter (mm)	Test Load (t)	I - beam (mm)	Classification	Min. Radius of Ring Rail (m)	
		50Hz	60Hz		Power (kw)	Rotation Speed (r/min)	Power (kw)	Rotation Speed (r/min)	Traversing Speed (m/min)						
		50Hz	60Hz						50Hz	60Hz					
MD1-005D	0.5			6	0.8/0.2	1380 (50Hz) 1656 (60Hz)	0.2	1380 (50Hz) 1656 (60Hz)	20	24	5	0.625	M3	1.5	
MD1-01D	1				1.5/0.2		0.2				7.4	1.25		88-124	1.5
MD1-02D	2	8/0.8	10/1		3.0/0.4		0.2				11	2.5		100-152	2
MD1-03D	3				4.5/0.4		0.2				12	3.75		100-152	2
MD1-05D	5				7.5/0.8		0.5				14	6.25		116-180	2.5
MD1-10D	10	7/0.7	8/0.8		13/1.5		0.5 × 2				14	12.5		142-180	2.5
MD1-16D	16	3.5/0.35	4/0.4		13/1.5		0.8 × 2				18	20		150-178	3.5
MD1-20D	20				13/1.5		0.8 × 2				18	25		158-178	3.5

Dimensions (mm)

Type	Capacity (t)	Headroom		I	M	N	Φ	E
		H						
MD1-005D	0.5	865		628	318	190	14.5	795
MD1-01D	1	880		772	404	196	19	805
MD1-02D	2	1035		818	412	240	23	960
MD1-03D	3	1165		963	457	264	25	1080
MD1-05D	5	1305		1082	488	320	31	1210
MD1-10D	10	1450		1513	847	376	38	1200
MD1-16D	16	1900		1814	1148	376	38	1635
MD1-20D	20	2000		1814	1148	376	38	1690