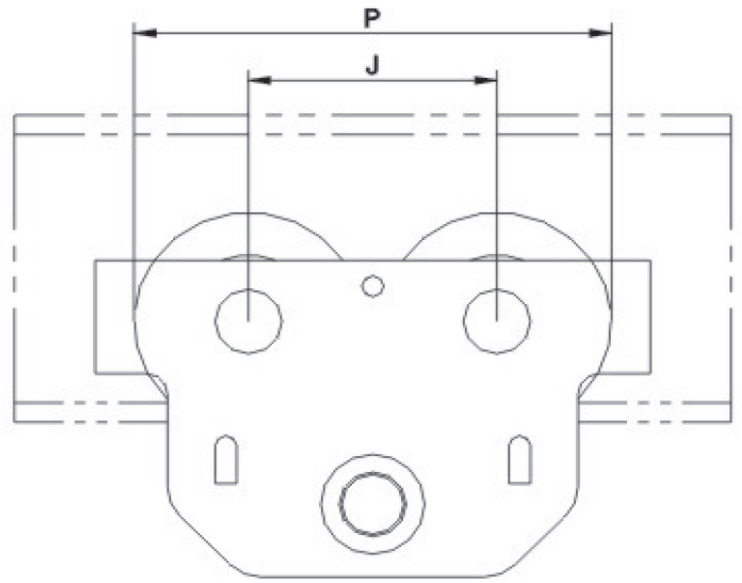
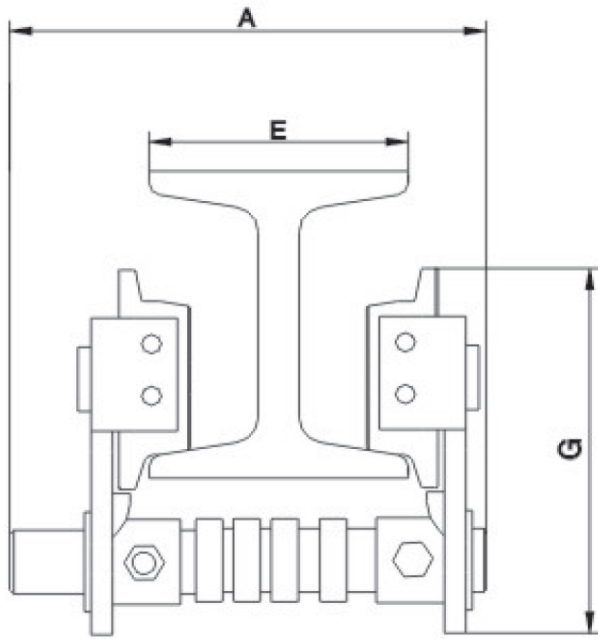


Plain Trolleys

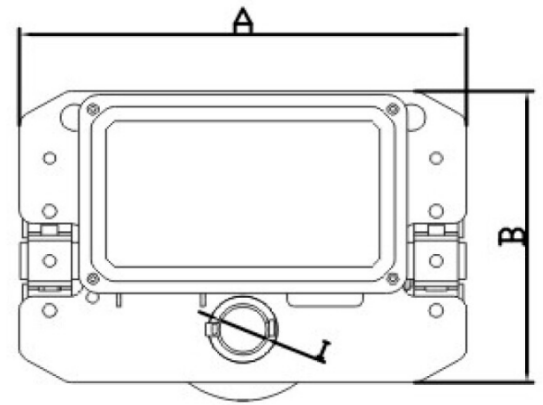
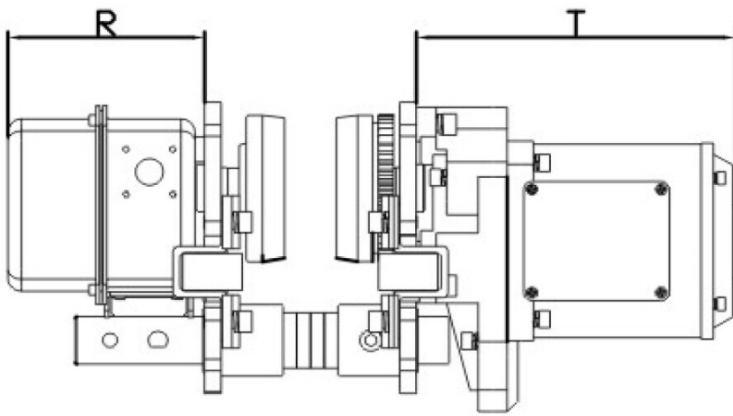
0.5Ton-5Ton



Specifications and Dimensions (mm)

Type	Capacity (t)	Min. Turning Radius (m)	I - beam (mm)	Weight (kg)	A	G	J	P
			E					
RMPT005	0.5	0.6	50-102	6	200	170	115	221
RMPT01	1	0.6	50-102	6	200	170	115	221
RMPT02	2	1.0	68-130	10	218	205	138	265
RMPT03	3	1.0	82-153	16	275	236	157	305
RMPT05	5	1.2	82-153	30	275	280	178	332

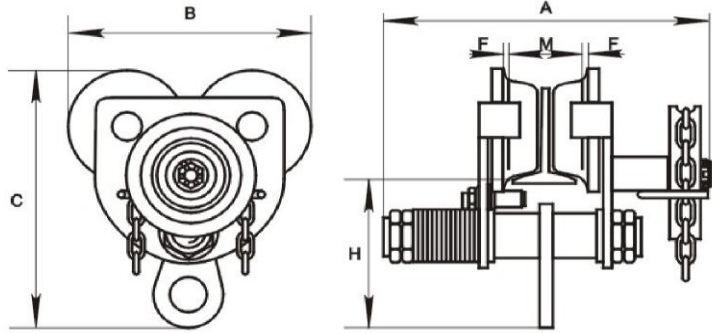
Electric Trolleys
0.5Ton-10Ton



Specifications and Dimensions (mm)

Type	Capacity (t)	Motor Power (kw)	Rotation speed (r/min)	Traversing Speed (m/min)		Min. Turning Radius (m)	I - beam (mm)	Weight (kg)	A	B	R	T	I
				50Hz	60Hz								
RMET005	0.5	0.4	1440 (50Hz) 1728 (60Hz)	21	25	0.8	58-153	42	315	212	142	231	Φ31
RMET01	1	0.4				0.8	58-153	42	315	212	142	231	Φ31
RMET02	2	0.4				0.8	82-178	49	325	220	142	231	Φ36
RMET03	3	0.75		11	13	1.0	100-178	61	340	250	142	231	Φ43
RMET05	5	0.75				1.8	100-178	83	400	291	142	231	Φ54
RMET075	7.5	0.75				1.8	100-178	103	400	291	142	231	Φ54
RMET10	10	0.75				2.5	150-220	144	500	370	142	231	Φ70

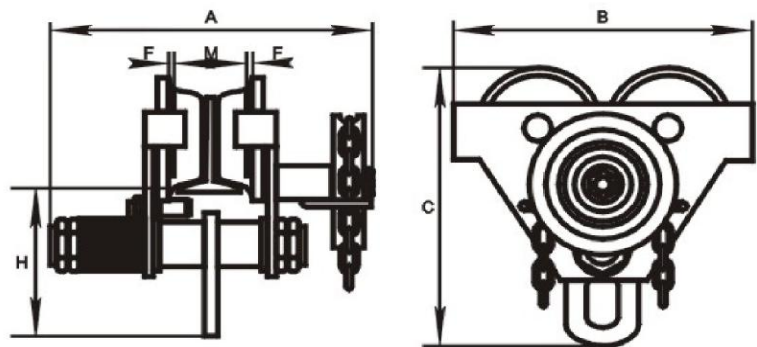
Geared Trolleys 0.5Ton-10Ton



Specifications and Dimensions (mm)

Type	Capacity (t)	I - beam (mm)	Weight (kg)	A	B	C	H
RMGT005A	0.5	75-125	12	271	170	190	106.5
RMGT01A	1	75-125	15	277	206	222	123.5
RMGT015A	1.5	100-150	18	311	228	236.5	125
RMGT02A	2	100-150	18	311	240	267	132.5
RMGT03A	3	100-150	35	358	282	320	175
RMGT05A	5	125-175	54	401	327	391.5	190
RMGT10A	10	125-180	100	442	389	490	275

0.5Ton-30Ton



Specifications and Dimensions (mm)

Type	Capacity (t)	I - beam (mm)	Weight (kg)	A	T	C	H
RMGT005B	0.5	64-140	14	308.5	212	198.5	113
RMGT01B	1	64-140	19	328.5	255	231.5	128
RMGT02B	2	76-165	29	361.5	302	278	152
RMGT03B	3	76-203	40	428.5	344	338	186
RMGT05B	5	88-203	65	434	378	393	219
RMGT10B	10	125-203	103	487.5	455	490	275.5
RMGT20B	20	136-203	245	547	642	622	315
RMGT30B	30	144-175	255	517	642	557	245