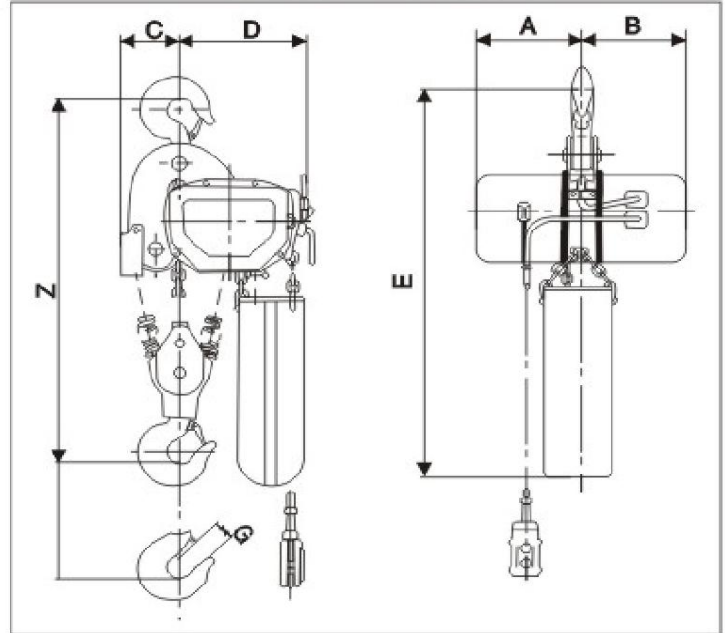


With Hook Suspension (1 phase capacitor motor)

1Ton-5Ton



Specifications

Type	Capacity (t)	Lifting Speed (m/min)		Standard Lift (m)	Lifting Motor		Load Chain Diameter (mm) × chain falls	Test Load (t)	Weight (kg)	Additional Weight per 1m Lift (kg)
		50Hz	60Hz		Power (kw)	Rotation Speed (r/min)				
SCPT0101S	1	2.3	2.8	3	1.1	2800	7.1 × 1	1.25	61	1.1
SCPT0202S	2	1.2	1.4		1.1		7.1 × 2	2.5	73	2.2
SCPT0303S	3	0.8	1.0		1.1		7.1 × 3	3.75	85	3.3
SCPT0505S	5	0.5	0.6		1.1		7.1 × 5	6.25	151	5.5

Dimensions (mm)

Type	Capacity (t)	Headroom	A	B	C	D	E	G
		Z						
SCPT0101S	1	530	216	216	135	170	680	31
SCPT0202S	2	645	216	216	90	215	705	26
SCPT0303S	3	800	216	216	125	270	900	42
SCPT0505S	5	895	216	216	175	340	1000	48

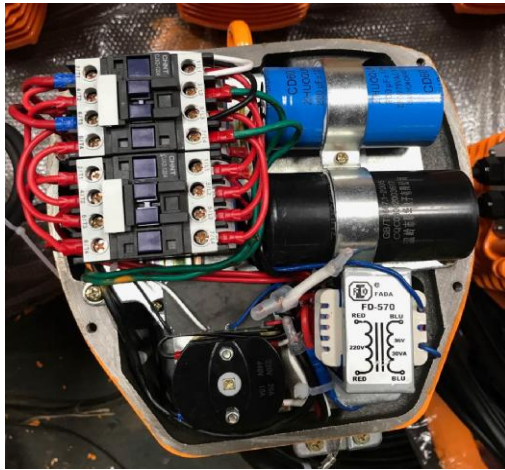
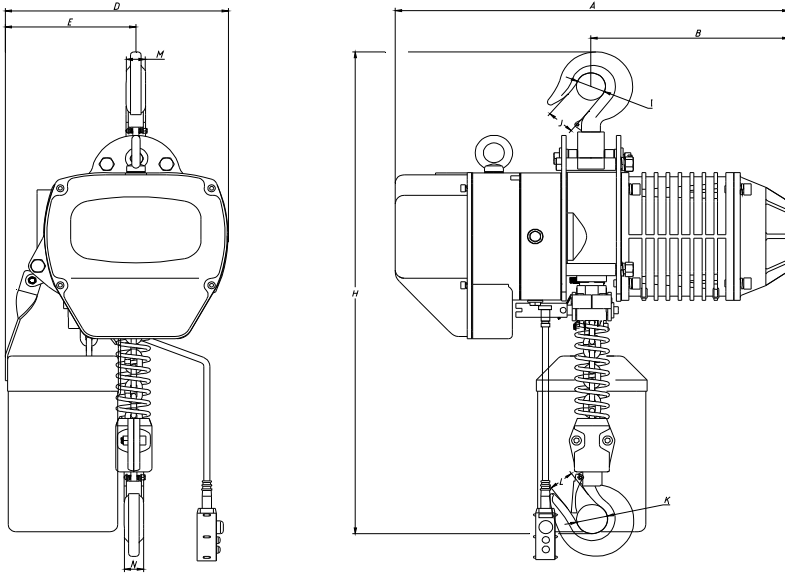
shell material is Iron

only with hook suspension type for single phase with capacitor motor, but none with electric trolley type

continuous working time is 15 min

With Hook Suspension (1 phase capacitor motor)

1Ton-2Ton



Specifications

Type	Capacity (t)	Lifting Speed (m/min)		Standard Lift (m)	Lifting Motor		Load Chain Diameter (mm) x chain falls	Test Load (t)	Weight (kg)	Additional Weight per 1m Lift (kg)
		50Hz	60Hz		Power (kw)	Rotation Speed (r/min)				
SRM0101S	1	6.8	8.2	3	1.5	1440 (50Hz)	7.1 × 1	1.25	61	1.1
SRM0202S	2	3.4	4.1		1.5	1728 (60Hz)	7.1 × 2	2.5	73	2.2

Dimensions (mm)

Type	Capacity (t)	Headroom	A	B	D	E	I	J	K	L	M	N
		H										
SRM0101S	1	650	520	260	300	176	Φ40	31	Φ40	31	22	22
SRM0202S	2	835	520	260	300	236	Φ47	38	Φ47	38	30	30

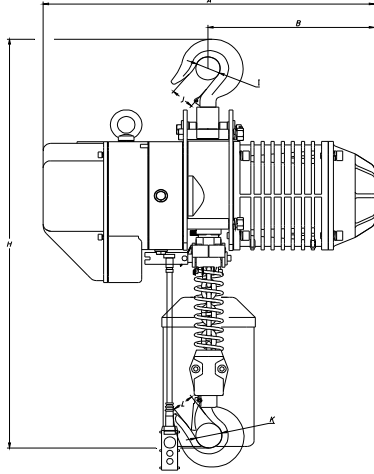
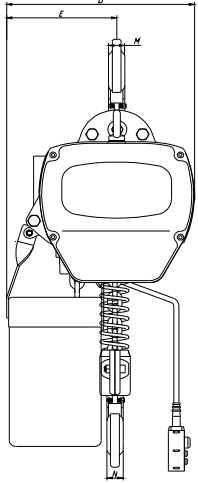
shell materil is aluminum alloy

only with hook suspension type for single phase with capacitor motor, but none with electric trolley type

continuous working time is 30 min

With Hook Suspension (VFD)

0.5Ton-10Ton



Specifications

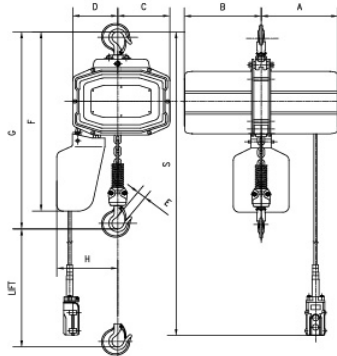
Type	Capacity (t)	Lifting Speed (m/min)		Standard Lift (m)	Lifting Motor		Load Chain Diameter (mm) ×chain falls	Test Load (t)	Weight (kg)	Additional Weight per 1m Lift (kg)
		50Hz	60Hz		Power (kw)	Rotation Speed (r/min)				
RMVFD00501S	0.5	6.8	8.2	3	0.75	1440 (50Hz) 1728 (60Hz)	6.3 × 1	0.625	47	0.8
RMVFD0101S	1	6.6	7.9		1.5		7.1 × 1	1.25	61	1.1
RMVFD0102S	1	3.4	4.1		0.75		6.3 × 2	1.25	52	1.6
RMVFD01501S	1.5	8.8	10.6		3.0		10.0 × 1	1.875	108	2.3
RMVFD0201S	2	6.6	7.9		3.0		10.0 × 1	2.5	115	2.3
RMVFD0202S	2	3.3	4.0		1.5		7.1 × 2	2.5	73	2.2
RMVFD02501S	2.5	5.4	6.5		3.0		11.2 × 1	3.125	116	2.8
RMVFD0301S	3	5.4	6.5		3.0		11.2 × 1	3.75	122	2.8
RMVFD0302S	3	4.4	5.3		3.0		10.0 × 2	3.75	131	4.7
RMVFD0303S	3	2.2	2.6		1.5		7.1 × 3	3.75	85	3.3
RMVFD0502S	5	2.7	3.2		3.0		11.2 × 2	6.25	151	5.6
RMVFD07503S	7.5	1.8	2.2		3.0		11.2 × 3	9.4	266	8.4
RMVFD1004S	10	2.7	3.2		3.0×2		11.2 × 4	12.5	300	11.2

Dimensions (mm)

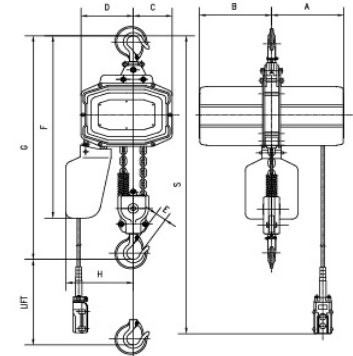
Type	Capacity (t)	Headroom	A	B	D	E	I	J	K	L	M	N
		H										
RMVFD00501S	0.5	550	460	230	280	160	Φ35	25	Φ35	25	17	17
RMVFD0101S	1	650	520	260	300	176	Φ40	31	Φ40	31	22	22
RMVFD0102S	1	670	460	230	280	205	Φ40	31	Φ40	31	22	22
RMVFD01501S	1.5	800	615	295	430	265	Φ47	40	Φ47	38	30	30
RMVFD0201S	2	800	615	295	430	265	Φ47	40	Φ47	38	30	30
RMVFD0202S	2	835	520	260	300	236	Φ47	38	Φ47	38	30	30
RMVFD02501S	2.5	845	615	295	430	265	Φ58	47	Φ58	47	36	36
RMVFD0301S	3	845	615	295	430	265	Φ58	47	Φ58	47	36	36
RMVFD0302S	3	950	615	295	430	320	Φ58	47	Φ58	47	36	36
RMVFD0303S	3	950	520	260	350	205	Φ59	48	Φ59	48	35	35
RMVFD0502S	5	1030	615	295	430	325	Φ60	48	Φ60	48	43	43
RMVFD07503S	7.5	1200	615	295	505	320	Φ85	31	Φ85	80	85	55
RMVFD1004S	10	1400	630	315	/	890	Φ85	80	Φ85	80	104	55

With Hook Suspension (1 phase capacitor motor) - with overload clutch

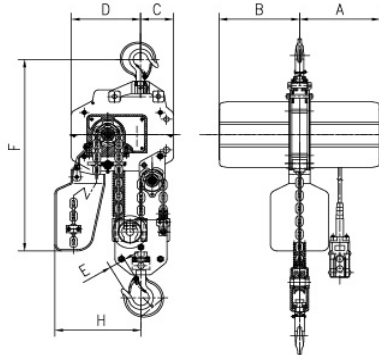
0.5Ton-10Ton



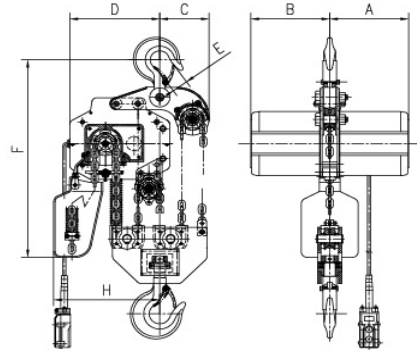
**ELECTRIC CHAIN HOIST
500 kg 1000 kg**



**ELECTRIC CHAIN HOIST
2000 kg**



**ELECTRIC CHAIN HOIST
3000 kg**



**ELECTRIC CHAIN HOIST
5000 kg**

Specifications

Type	Capacity (t)	Lifting Speed (m/min)		Standard Lift (m)	Lifting Motor		Load Chain Diameter (mm) ×chain falls	Test Load (t)	Weight (kg)	Additional Weight per 1m Lift (kg)
		50Hz	60Hz		Power (kw)	Rotation Speed (r/min)				
SHHB00501S	0.5	5.2	6.24	3	0.8	1440 (50Hz) 1728 (60Hz)	7.1 × 1	0.55	64	1.1
SHHB0101S	1	5.2	6.24		1.2		7.1 × 1	1.1	65	1.1
SHHB0202S	2	2.6	3.12		1.2		7.1 × 2	2.2	72	2.2
SHHB0303S	3	1.7	2.04		1.2		7.1 × 3	3.3	80	3.3

Dimensions (mm)

Type	Capacity (t)	Headroom	A	B	C	D	E	F	H
		H							
SHHB00501S	0.5	545	249	249	168	146	25	640	197
SHHB0101S	1	580	249	249	168	146	32	640	197
SHHB0202S	2	740	249	249	134	180	38	675	231
SHHB0303S	3	790	249	249	100	214	41	658	265



Features:

- A. Capacity from 500kg to 5000kg.
- B. Quality chain is supplied by FEC JAPAN.
- C. Most tensile safety hooks without break.
- D. Compact and high efficient motor with heat protection device.
- E. Push button is with 24v low voltage to guarantee safety.
- F. Limit switch.
- G. Limit load device are fitted.
- H. Both single phase and three phase are available.
- I. CE certified.
- J. IP54 protection on electric hoist for dust and water proof protection.



European Electrics



DC Brake



Overload Clutch



Grease Filled reduction Gearbox



Limit Switches

Heavy Duty Motor

Robust All Steel Construction of Outer Housing



Moulded External Strainer Wire Built into Pendant Cord

FEC JAPAN Load Chain



Contactor Isolation Emergency Stop

IP54 European 24V Pendant Control



Electro Plated Limit Spring

Thrust Race

Roller Bearings

Heavy Duty Cast Safety Latch