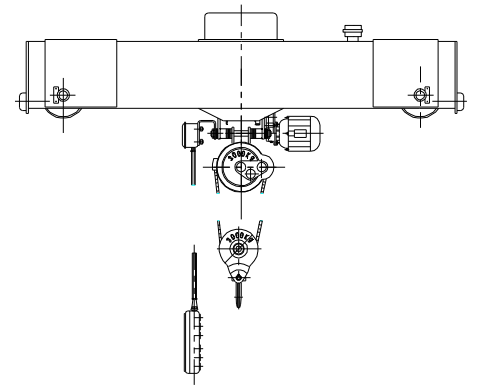
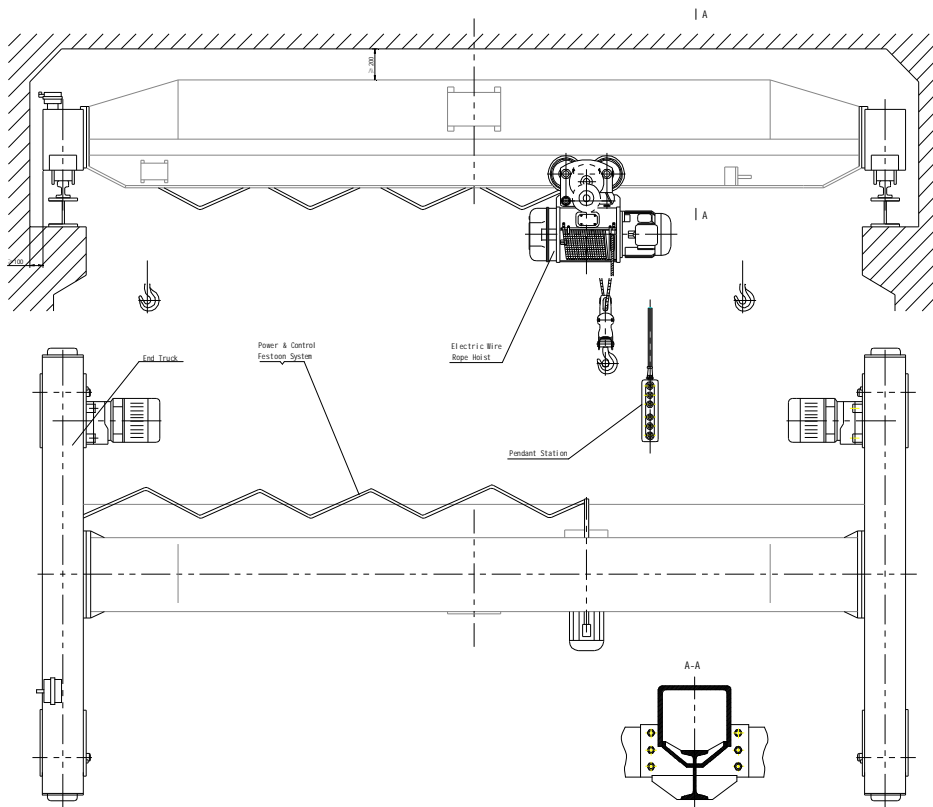


Crane Kits

1Ton-20Ton



Specifications

Lifting Capacity (t)		1,2,3,5,10,16,20	
Span (m)		7.5-22.5	
Mechanism Travelling	Motor	Speed	20,30,45 75
		Type	ZDY121-4 ZDR12-4
		Power (kw)	0.8×2 1.5×2
		Rotation Speed (r/min)	1380 1380
Electric Hoist	Motor	Model	CD1/MD1
		Lifting Height (m)	6-30
		Lifting Speed (m/min)	8 (single), 8/0.8 (dual)
		Traversing Speed (m/min)	20
Work Classification		Cone(Taper) Squirrel-cage	
Power Supply		A3-A5	
Wheel Diameter (mm)		380v, 50Hz, 3phase or customized	
Width of Rail (mm)		Φ300	
		37-70	