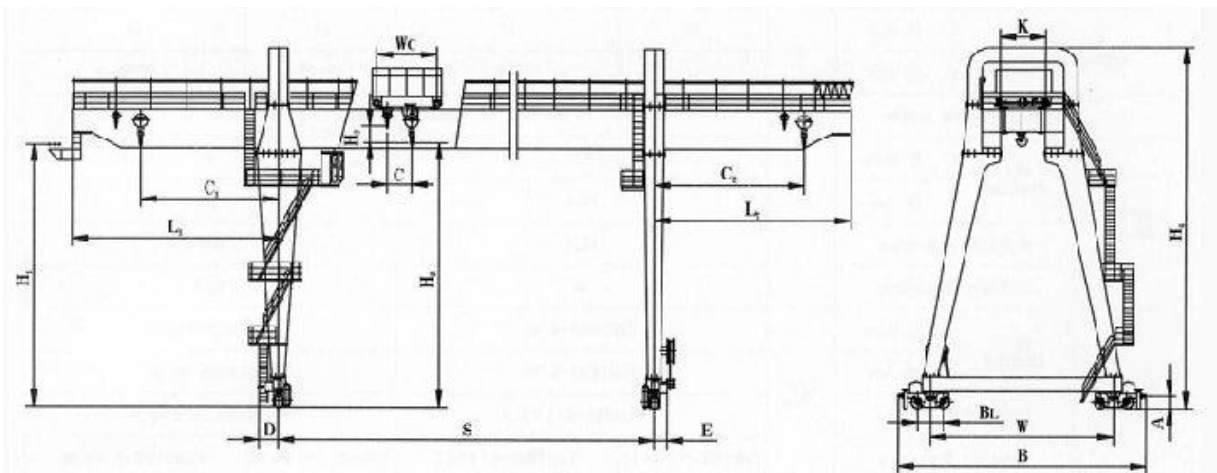


Double Girder Gantry Cranes

5Ton-50Ton



Specifications

Lifting Capacity (t)		10	16	20/10	30/10	36/16	50/10
Span (m)		18-35					
Lifting Height (m)		10-13					
Working duty		A5					
Speed (m/min)	Lifting	8.5	7.9	7.2/10.4	7.5/10.4	7.8/10.5	6/10.4
	Trolley travelling	43.8	44.5	44.5	41.9	41.9	38.13
	Crane travelling	37.6/40	38/36	38/36	40	40/38	38
Motor	Lifting	YZR180L-6/17	YZR225M-8/26	YZR225M-8/26 YZR200L-6/26	YZR280S-10/42 YZR200L-6/26	YZR280M-10/55 YZR225M-6/34	YZR280M-10/55 YZR200L-6/26
	Trolley	YZR132M1- 6/2.5*2	YZR132M2- 6/4*2	YZR132M2- 6/4*2	YZR132M1- 6/4*2	YZR132M1- 6/6.3*2	YZR132M1- 6/6.3*2
	Crane	YZR160L-6/13*2	YZR160L-6/13*2 YZR160M1- 6/6.3*4	YZR160L-6/13*2 YZR160M2- 6/8.5*4	YZR160M2- 6/8.5*4	YZR160L-6/13*4 YZR160M2- 6/8.5*4	YZR160L-6/13*4
Weight (t)	Trolley	9	9.5	12	16	18	24
	Total	63.2-100	78-106	79-120	95-108	106-155	195
Wheel Pressure (KN)		225-295	255-373	208-289	324-334	314-363	452
Operation Model		cabin					
Working temperature		-20-40°C					
Steel Track		43kg/m	50kg/m				
Power Source		3-phase A.C 380V 50HZ (As your demand)					