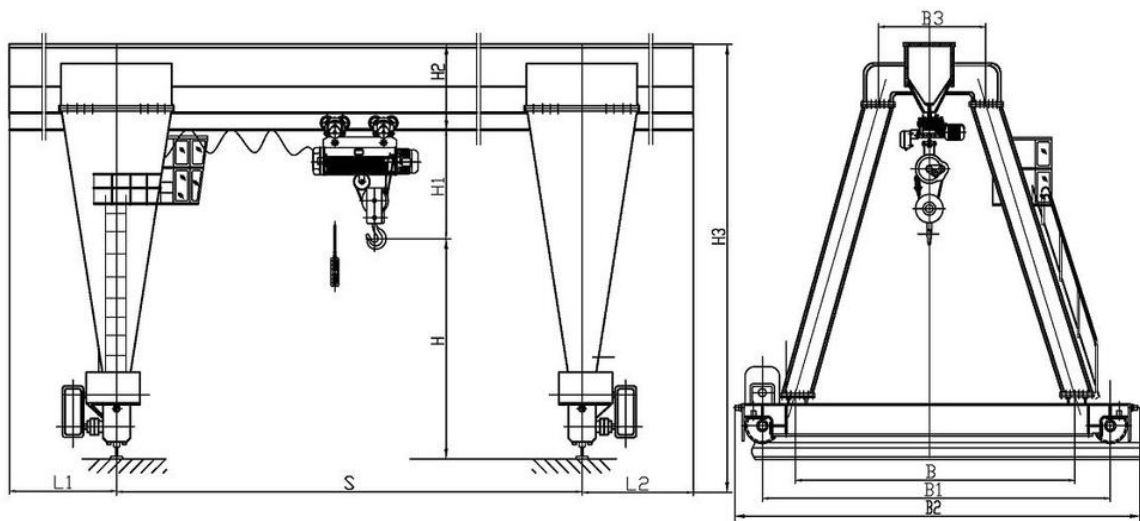


# Single Girder Gantry Cranes

## 5Ton-50Ton



### Specifications

Lifting Capacity (t)		3	5	10	16	20	
Operational Method		Pendant push button control, cabin control or remote control					
Speed (m/min)	Lifting	8,8/0.8	8,8/0.8	7,7/0.7	3.5	3.5	
	Cross Travelling	20	20	20	20	20	
	Crane Travelling	Ground	20	20	20	20	20
Cabin		30,40	30,40	30,40	30,40	30,40	
Motor (type /kw)	Lifting	ZD41-4/4.5	ZD141-4/7.5 ZDS10.8/4.5	ZD151-4/13 ZDS11.5/4.5	ZD151-4/13	ZD152-4/18	
	Cross Travelling	ZDY12-4/0.4	ZDY121-4/0.8	ZDY21-4/0.8×2	ZDY121-4/0.8×2	YZD-4/0.8×4	
	Crane Travelling	Ground	ZDY21-4/0.8×2	YZR132M1-6/2.2×2	YZR160M1-6/6.3×2	YZR160M1-6/6.3×2	YZR160M1-6/6.3×2
			ZDY21-4/1.5×2	YZR132M2-6/3.7×2		YZR160M2-6/8.5×2	YZR160M2-6/8.5×2
			Cabin	ZDR22-4/1.5×2	YZR132M2-6/3.7×2	YZR160M1-6/6.3×2	YZR160M2-6/8.5×2
ZDR24-4/2.2×2	YZR160M1-6/5.5×2	YZR160L2-6/11×2		YZR160L2-6/11×2			
Electric Hoist		CD1/MD1	CD1/MD1	CD1/MD1	CD1	HC	
Lifting Height (m)		6,9,12 or other height					
Working Duty		A5					
Power Supply		380V 50HZ 3phase AC					
Span (m)		12,16,20,24,30					
Working Temperature		-20-40°C					
Cantilevers		According to your demand, but not more than 1/3 of span					
Steel Track Recommended (Kg/m)		43	43	43	43	50	