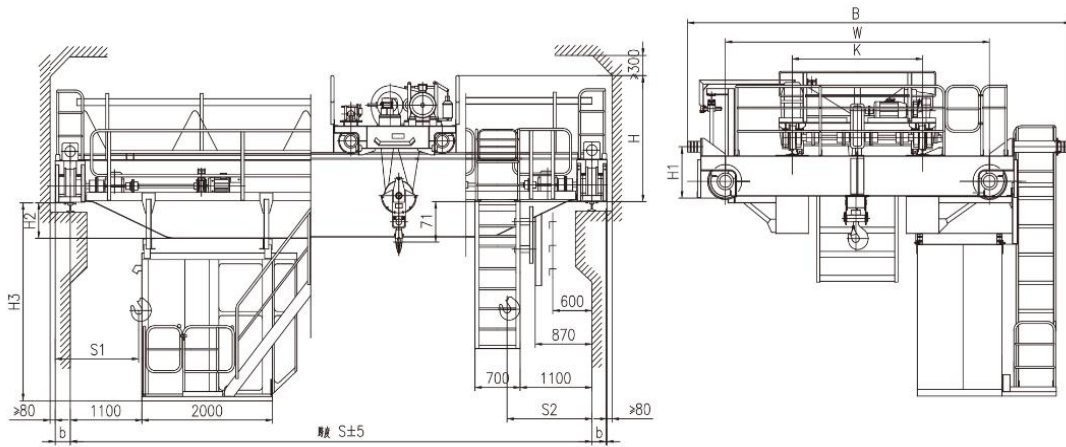


Double Girder Overhead Cranes

5Ton-50Ton



Specifications

Lifting Capacity (t)	Main Hook		5	10	16	20
	Auxiliary Hook				3.2	5
	Span		10.5-31.5			
Lifting Height (m)	Main Hook		16	16	16	12
	Auxiliary Hook				18	14
Speed	Main Hook Lifting	A5	11.3	8.5	7.9	7.2
		A6	15.6	13.3	13	12.3
	Auxiliary Hook Lifting				16.7	19.5
	Trolley Traversing		37.2	43.8	44.6	44.6
Bridge Traversing	A5	89.8/91.8	90.7/91.9/84.7	84.7/87.6	84.7/87.6	
	A6	92.7/93.7	115.6/116/112.5	112.5/101.4	112.5/101.4	
Max. Wheel Load (kn)	A5	74-125	102-160	141-205	163-231	
	A6	75-126	104-162	145-211	167-239	
	Rail Recommended		38 kg/m	43 kg/m	43 kg/m or QU70	43 kg/m or QU70
	Wheel Diameter of Trolley (mm)		φ160	φ160	φ160	φ160
	Wheel Diameter of End Carriage (mm)		φ160	φ200	φ250	φ250
	Operational Model		Cabin; remote control; ground handle			
	Working Duty		A5,A6			
	Power Supply		380v, 50Hz, 3phase or customized			
Weight (kg)	Trolley	A5	2126	3424	6227	6856
		A6	2224	3562	6427	7180
	Total Weight	A5	12715-31405	14270-34405	19128-39428	19947-41497
		A6	12991-31596	14719-34699	20045-41315	20984-44225