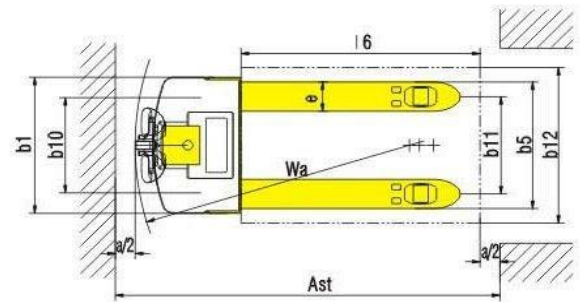
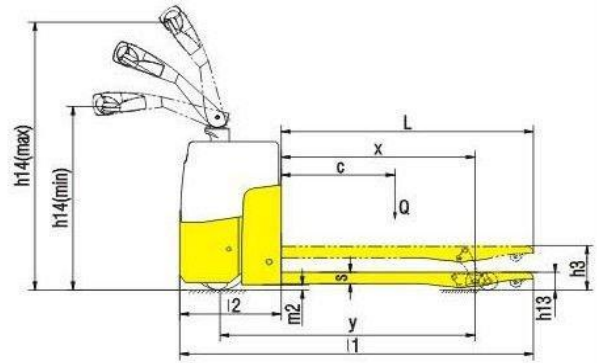


Electric Pallet Trucks

1.5Ton-2.5Ton



Specifications

Type		Unit	EPT015	EPT02	EPT022	EPT25
General	Rated capacity	t	1.5	2	2.2	2.5
	Load center	mm	600	600	600	600
	Drive type	Standed				
	Motor brake	Electromagnetic				
	Load distance (centerline of front axle to front face of forks)	mm	963/1054	963/1033	963/1033	957
	Battery weight	Kg	48	185	185	280
	Self weight (with battery)	Kg	286	520	515	970
	Full Load per Axle - Driving side / bearing side	Kg	675/1115	1040/1480	1085/1630	162/1850
	Empty Load per Axle - Driving side / bearing side	Kg	230/60	405/115	400/115	780/200
Dimensions	Lifting Height (standard)	mm	120	120	120	130
	Fork min. ground clearance	mm	85	85	85	85
	Adjust width of fork (standard)	mm	520/650	540/685	540/685	560
	Fork size	mm	47/160/1220	60/160/1150	60/160/1150	60/160/1150
	Minimum ground clearance	mm	24	25	25	25
	Overall length	mm	1660	1815/1885	1815/1885	2025
	Overall width	mm	700	726	726	796
	Overall height (including handle)	mm	1235	1323	1323	1290
	Bodywork height	mm	677	745	745	1196
	Wheel tread (front/rear)	mm	490/490	540/380	540/380	441/380
	Supporting wheel tread	mm	1310	1368	1368	1515
	Minimum turning radius	mm	1976	1640	1640/1710	1865
Stacking right angle aisle width (1200mm pallet)	mm	1976	2105	2105	2255	
	Max. driving speed (full)	Km/h	5	5	5.8	8.7
	Max. driving speed (empty)	Km/h	5.2	5.2	6	9
	Max. lifting speed (full)	mm/s	27	27	19	33.7

Performance	Max. lifting speed (empty)	mm/s	35	35	38	45
	Max. declining speed (full)	mm/s	42	42	30	35.7
	Max. declining speed (empty)	mm/s	27	27	27	18.7
	Gradeability full/empty	%	5/8	10/16	9/15	6.9/14
	Steering angle	°	205	180	180	180
	Sound level at the driver's ear	dB(A)	less 70	less 70	less 70	less 70
Wheel	Wheels material	Polyurethane				
	Wheel number (front/rear)	4/3				
	Drive wheel (mm)	mm	φ252X89	φ230X75	φ230X75	φ254X82
	Load wheel (mm)	mm	φ74X70	φ74X70	φ84X70	φ84X70
	Balance wheel (mm)	mm	φ100X40	φ100X40	φ100X40	φ149X55
Power and Control	Travel motor	KW	0.8	1.5	1.5	2.2
	Lift motor	KW	0.6	0.8	0.8	2.2
	Voltage	V	2X12	24	24	24
	Battery capacity	Ah	80	210	210	360
	Power	Electric				