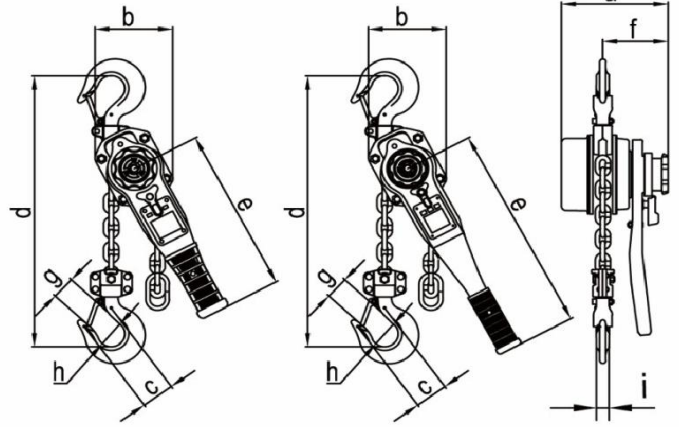
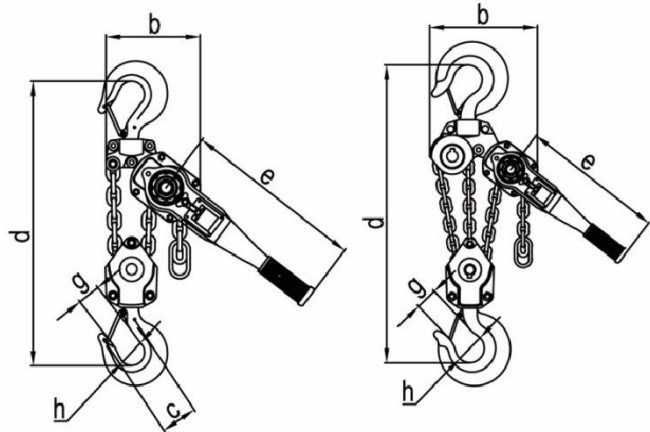


VG Lever Hoists 0.8Ton-9Ton



0.8T,1T,1.6T&2.5T

3.2T



6.3T

9T

Specifications

Type	Capacity (t)	Standard Lift (m)	Effort required to lift full load (N)	Load Chain	Test Load (t)	Weight (kg)	Additional Weight per 1m Lift(kg)
				Diameter (mm)×chain falls			
VG008	0.8	1.5	215	5.6 × 1	1.2	5.7	0.7
VG01	1		294	5.6 × 1	1.5	5.9	0.7
VG016	1.6		304	7.1 × 1	2.4	8.0	1.1
VG025	2.5		363	8.8 × 1	3.8	11.2	1.7
VG032	3.2		372	10 × 1	4.8	13.6	2.3
VG063	6.3		382	10× 2	9.5	26.0	4.7
VG09	9		392	10× 3	13.5	40.0	7

Dimensions (mm)

Type	Capacity (t)	a	b	c	d	e	f	g	h
VG008	0.8	146	119	41.5	280	245	96	26.5	35.5
VG01	1	146	119	49.4	300	245	96	31.5	42.5
VG016	1.6	164	126	52	335	265	100	35.5	42.5
VG025	2.5	179	150	58.6	375	265	103	41	47
VG032	3.2	196	159	61.9	395	415	114	43	50
VG063	6.3	196	218	84.3	540	415	114	53	60
VG09	9	196	298	/	680	415	114	64	85