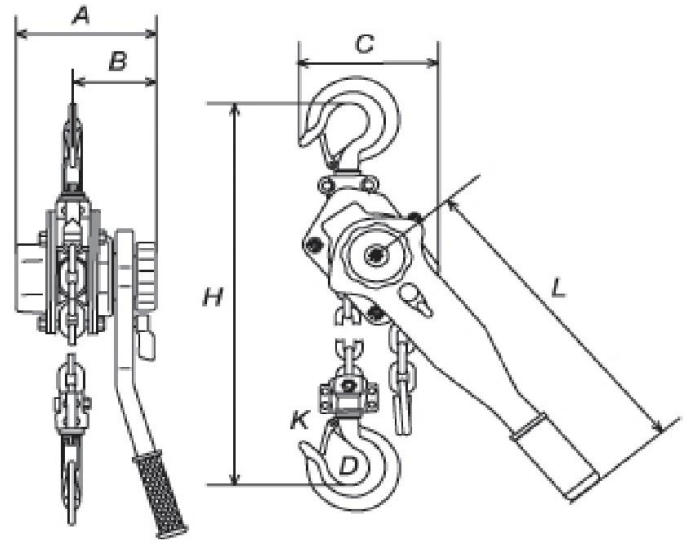


VL Lever Hoists
0.5Ton-9Ton



Specifications

Type	Capacity (t)	Standard Lift (m)	Effort required to lift full load (N)	Load Chain	Test Load (t)	Weight (kg)	Additional Weight per 1m Lift(kg)
				Diameter (mm) ×chain falls			
VL005	0.5	1.5	106	5 × 1	0.75	3.5	0.6
VL0075	0.75		148	6.3 × 1	1.125	6.6	0.9
VL015	1.5		216	7.1 × 1	2.25	11	1.1
VL03	3		336	9 × 1	4.5	17	1.8
VL06	6		345	9 × 2	9	27.5	3.6
VL09	9		360	9 × 3	13.5	47	5.4

Dimensions (mm)

Type	Capacity (t)	A	B	C	D	K
VL005	0.5	102	80	95	35	24
VL0075	0.75	155	88	135	40	34
VL015	1.5	170	110	162	45	38
VL03	3	198	120	211	58	48
VL06	6	198	120	254	64	52
VL09	9	198	120	319	85	58