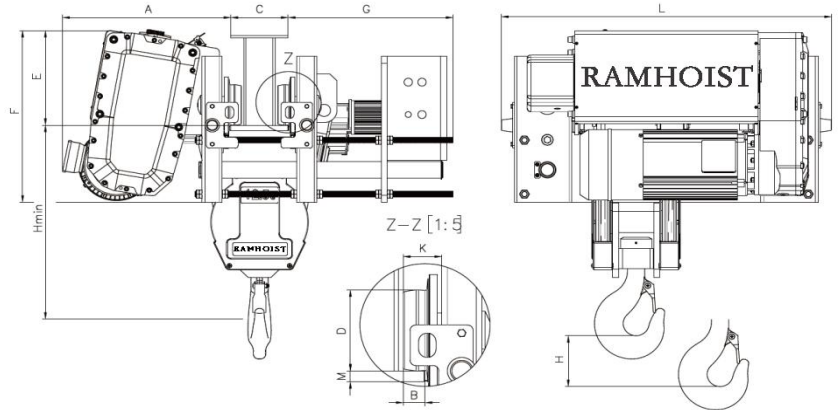
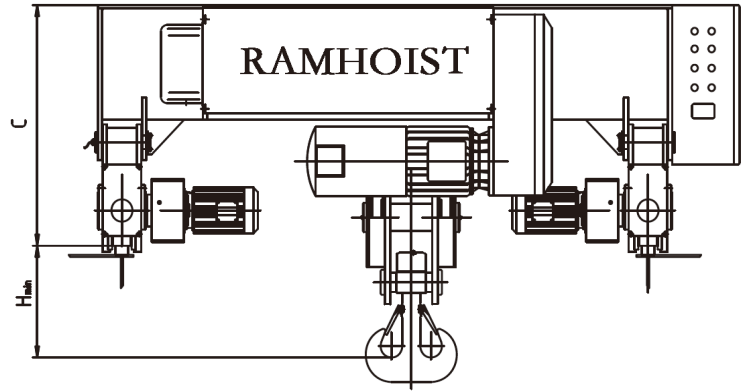


EU Ultra-Low Headroom Wire Rope Hoists
1.6Ton-12.5Ton

Specifications

Type	Capacity (t)	Lifting Speed (m/min)		Standard Lift (m)	Lifting Motor		Traversing Motor				Wire Rope Diameter (mm)	Test Load (t)	I - beam (mm)	Classification	Min. Radius of Ring Rail (m)
		50Hz	60Hz		Power (kw)	Rotation Speed (r/min)	Power (kw)	Rotation Speed (r/min)	Traversing Speed (m/min)						
		50Hz	60Hz						50Hz	60Hz					
EU2D	1.6	10/1.6	12/1.9	6	3.2/0.45		0.37/0.45		20/5	24/6.0	7	2	94-180	M5	2
	3.2	5/0.8	6/1.0									4			
EU3D	2.5	10/1.6	12/1.9		7.6/1.1	1380 (50Hz)	0.55/0.13	1380 (50Hz)	20/5	24/6.0	9	3.125	116-180	M5	2
	5	5/0.8	6/1.0									6.25			
EU4D	5	10/1.6	12/1.9		9.5/1.5	1656 (60Hz)	0.75/0.18	1656 (60Hz)	20/5	24/6.0	13	6.25	142-180	M5	2.5
	6.3	10/1.6	12/1.9									7.875			
	10	5.0/0.8	6.0/1.0									12.5			
	12.5	5.0/0.8	6.0/1.0									15.625			

Dimensions (mm)

Type	Capacity (t)	Headroom		A	B	D	E	F	G	Mmax	K
		Hmin									
EU2D	1.6	560		432	30	100	226	431	491	30	59
	3.2	470									
EU3D	2.5	700		499	30	125	271	519	491	32	59
	5	550									
EU4D	5	940		601	37	150	351	636	562	40	67
	6.3	700									
	10	940									
	12.5	700									

EU Double girder Wire rope hoists (Top running)-BS
5Ton-40Ton

Specifications

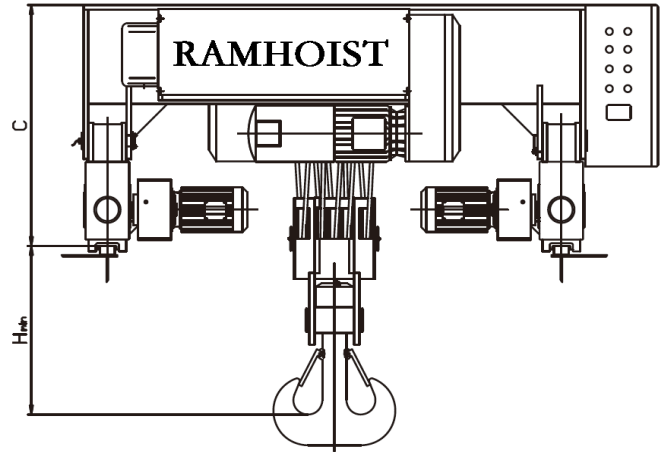
Type	Capacity (t)	Lifting Speed (m/min)		Standard Lift (m)	Lifting Motor		Traversing Motor				Wire Rope		Test Load (t)	Trolley Gauge (mm)	Classification	Wheel Dimension (mm)	Weight (kg)
		50Hz	60Hz		Power (kw)	Rotation Speed (r/min)	Power (kw)	Rotation Speed (r/min)	Traversing Speed (m/min)		Diameter (mm)						
									50Hz	60Hz							
EU3BS	5	4/0.6	4.8/0.7	6	4.9/0.8	1380 (50Hz) 1656 (60Hz)	2×0.37	20/5	24/6	11	6.25	1400	M5	125	5111		
EU4BS	10	5/0.8	6/1.0		12.5/2.1		2×0.55			15	12.5	1400	M5	160	1112		
	12.5				1656 (60Hz)		2×1.1			18	15.625	1400	M4	160	1112		
EU5BS	20	3.4/0.53	4.1/0.64		16/2.6		2×1.1			18	25	1600	M5	200	1898		
	25				38											2×2.2	20
EU6BS	40	4.9/0.82	5.9/0.98		38		2×2.2			20	50	2000	M4	315	2958		

Dimensions (mm)

Type	Capacity (t)	Headroom		A	B	C	D
		Hmin					
EU3BS	5	865		96	325	500	50
EU4BS	10	880		110	339	600	65
	12.5	1035					
EU5BS	20	1165		120	349	900	75
	25	1305					
EU6BS	40	1450		145	374	1070	85

EU Double girder Wire rope hoists (Top running)-BZ

32Ton-100Ton



Specifications

Type	Capacity (t)	Lifting Speed (m/min)		Standard Lift (m)	Lifting Motor		Traversing Motor			Wire Rope Diameter (mm)	Test Load (t)	Trolley Gauge (mm)	Classification	Wheel Dimension (mm)	Weight (kg)				
		50Hz	60Hz		Power (kw)	Rotation Speed (r/min)	Power (kw)	Rotation Speed (r/min)	Traversing Speed (m/min)										
									50Hz							60Hz			
EU5BZ	32	4.5/0.7	5.4/0.8	6	2×16/2.6	1380 (50Hz) 1656 (60Hz)	2×1.5	1380 (50Hz) 1656 (60Hz)	20/5	24/6	18	40	2000	M5	250	3425			
	40						2×2.2					50		M4					
	50	3.4/0.53	4.1/0.64				2×3					62.5		M5			315	3850	
EU6BZ	63	6.5/1.1	7.8/1.3		2×38	2×3	2×4	20/5	24/6	20	78.75	2000		M4	315	4930			
	63	4.9/0.82	5.9/0.98								2×3			78.75			M5	315	5565
	80	4.9/0.82	5.9/0.98								2×4			100			M4	400	5565
	80	4/0.66	4.8/0.79	2×4							100		M5	400			6170		
	100	4/0.66	4.8/0.79		2×4					125		M4	400	6170					

Dimensions (mm)

Type	Capacity (t)	Headroom		A	B	C	D
		Hmin					
EU5BZ	32	660		130	359	1100	75
	40						
	50						
EU6BZ	63	820		145	374	1280	85
	63		840				
	80		840				
	80		930				
	100		930				