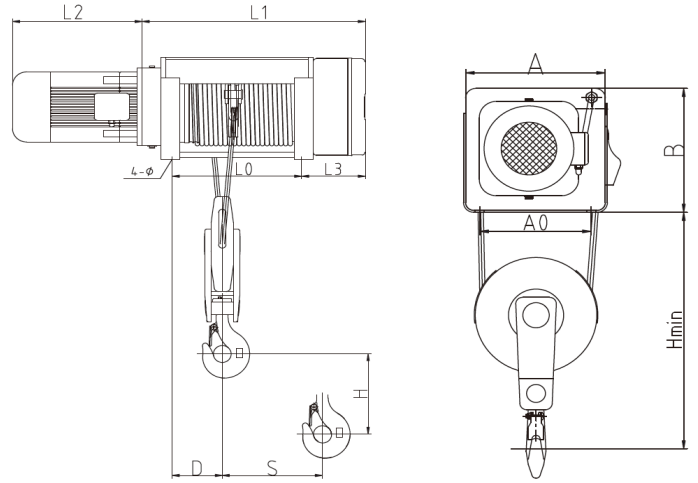


New CD1 / MD1 Electric Wire Rope Hoists - Foot-Mounted wire rope hoist (2/1 rope reving) 1Ton-16Ton



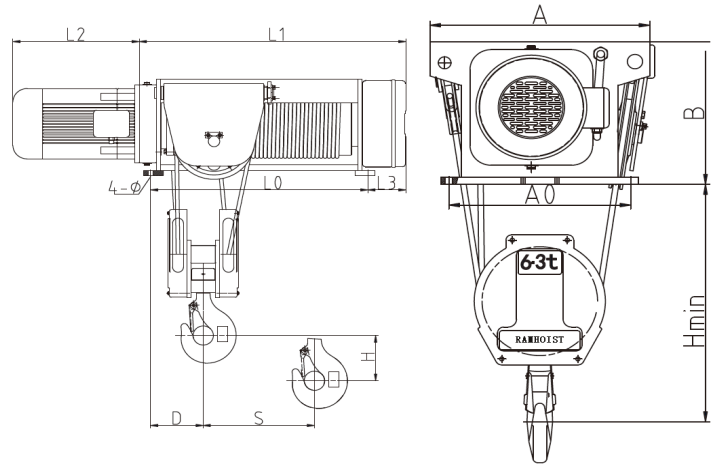
Specifications

Type	Capacity (t)	Lifting Speed (m/min)		Standard Lift (m)	Lifting Motor		Wire Rope Diameter (mm)	Test Load (t)	Classification	Weight(kg)
		50Hz	60Hz		Power (kw)	Rotation Speed (r/min)				
(N)CMD1-3A	1	8.4 8.4/2.1	10.1 10.1/2.5	6	1.5 1.5/0.4	1380 (50Hz) 1656 (60Hz)	7.4	1.25	M4	156
(N)CMD1-4A	2	7.2 7.2/2.4	8.6 8.6/2.9		3 3/1		11	2.5		266
(N)CMD1-5A	3.2	7 7/1.6	8.4 8.4/1.9		4.5 4.5/1.1		13	4		351
(N)CMD1-6A	5	7.6 7.6/1.8	9.1 9.1/2.2		7.5 7.5/2.0		15	6.25		487
(N)CMD1-7A	8	8 8/2	9.6 9.6/2.4		13 13/3.4		18	10		759
(N)CMD1-8A	10	4 4/1	4.8 4.8/1.2		13 13/3.4		18	12.5		765
(N)CMD1-9A	16	6 6/1.5	7.2 7.2/1.8		18.5 18.5/4.7		22	20		1020

Dimensions (mm)

Type	Capacity (t)	Headroom Hmin	L2	Φ	A	A0	B	L3	S
(N)CMD1-3A	1	455	300 500	13	278	215	253	163	0.0161H
(N)CMD1-4A	2	578	350 535	18	335	265	310	181	0.0174H
(N)CMD1-5A	3.2	649	380 600	18	370	300	346	198	0.0182H
(N)CMD1-6A	5	739	460 645	26	408	325	381	226	0.0191H
(N)CMD1-7A	8	799	520 620	26	480	370	455	249	0.0194H
(N)CMD1-8A	10	799	520 620	26	480	370	445	249	0.0194H
(N)CMD1-9A	16	1000	580 920	26	635	465	553	249	0.02H

New CD1 / MD1 Electric Wire Rope Hoists - Foot-mounted wire rope hoist (4/1 rope reving) 3.2Ton-32Ton



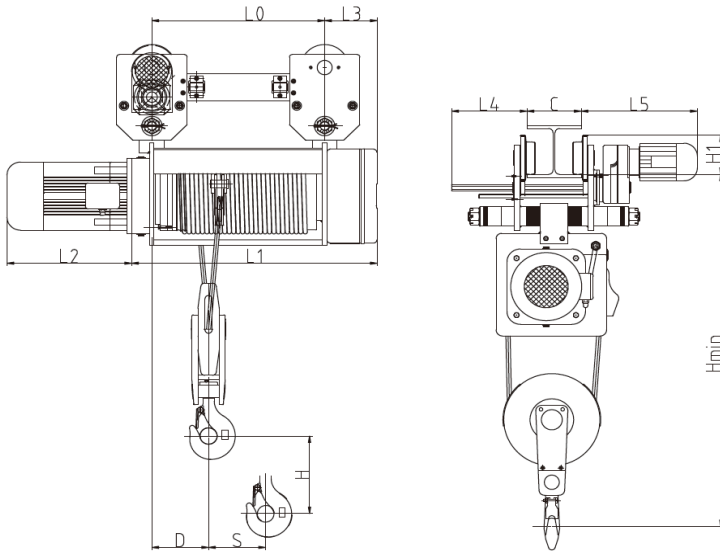
Specifications

Type	Capacity (t)	Lifting Speed (m/min)		Standard Lift (m)	Lifting Motor		Wire Rope Diameter (mm)	Test Load (t)	Classification	Weight(kg)
		50Hz	60Hz		Power (kw)	Rotation Speed (r/min)				
(N)CMD1-4A	3.2	3.6 3.6/1.2	4.3 4.3/1.4	6	3 3/1	1380 (50Hz) 1656 (60Hz)	11	4	M4	335
(N)CMD1-5A	6.3	3.5 3.5/0.8	4.2 4.2/1.0		4.5 4.5/1.1		13	7.875		471
(N)CMD1-6A	10	3.8 3.8/0.9	4.6 4.6/1.1		7.5 7.5/2.0		15	12.5		661
(N)CMD1-7A	16	4 4/1	4.8 4.8/1.2		13 13/3.4		18	20		1028
(N)CMD1-8A	20	4 4/1	4.8 4.8/1.2		13 13/3.4		18	25		1035
(N)CMD1-9A	32	4 4/1	4.8 4.8/1.2		18.5 18.5/4.7		22	40		1310

Dimensions (mm)

Type	Capacity (t)	Headroom Hmin	L2	Φ	A	A0	B	L3	S
(N)CMD1-4A	3.2	531	350 535	18	485	395	323	120	0.0174H
(N)CMD1-5A	6.3	619	380 600	18	520	430	358	134	0.0182H
(N)CMD1-6A	10	689	460 645	26	588	468	393	161	0.0191H
(N)CMD1-7A	16	760	520 620	26	720	540	472	176	0.0194H
(N)CMD1-8A	20	760	520 620	26	720	540	472	176	0.0194H
(N)CMD1-9A	32	1100	580 920	26	710	540	553	249	0.02H

New CD1 / MD1 Electric Wire Rope Hoists - Monorail wire rope hoist (2/1 rope reeving)

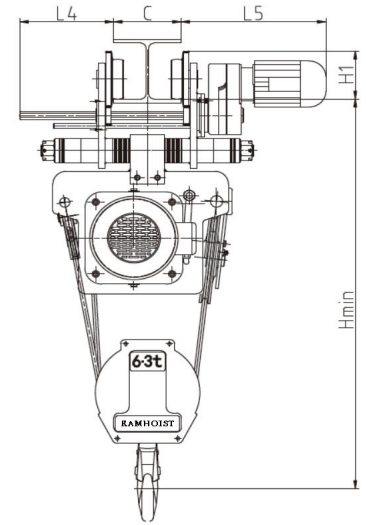
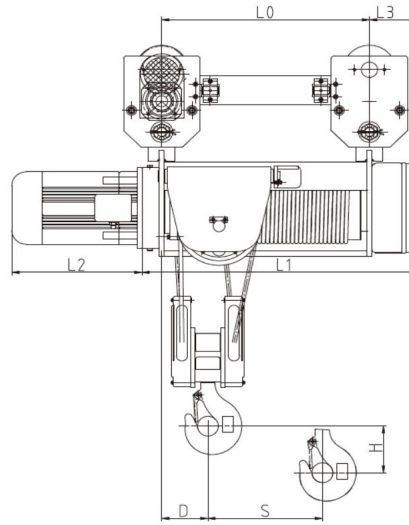
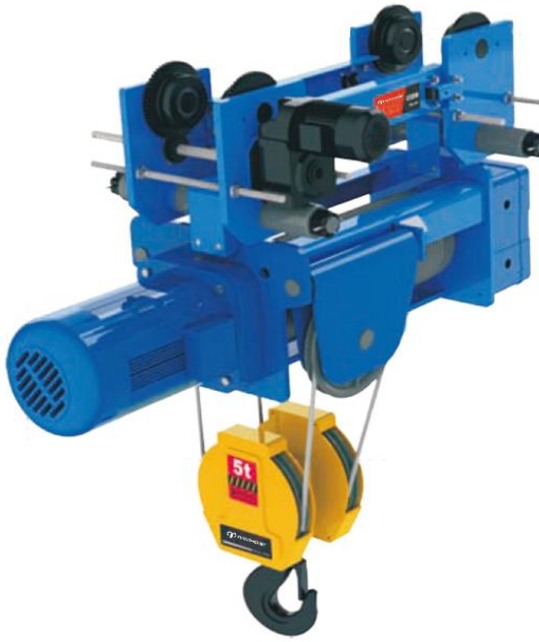
1Ton-10Ton

Specifications

Type	Capacity (t)	Lifting Speed (m/min)		Standard Lift (m)	Lifting Motor		Traversing Motor			Wire Rope Diameter (mm)	Test Load (t)	I - beam (mm)	Classification	Weight (kg)							
		50Hz	60Hz		Power (kw)	Rotation Speed (r/min)	Power (kw)	Rotation Speed (r/min)	Traversing Speed (m/min)												
									50Hz	60Hz											
(N)CMD1-3A	1	8.4	10.1	6	1.5	1380 (50Hz) 1656 (60Hz)	1380 (50Hz) 1656 (60Hz)	20/5	24/6	7.4	1.25	110-180	M4	282							
(N)CMD1-4A	2	7.2	8.6		3					0.37	11				2.5	392					
(N)CMD1-5A	3.2	7	8.4		4.5					0.37	13				4	475					
(N)CMD1-6A	5	7.6	9.1		7.5					0.55	15				6.25	636					
(N)CMD1-7A	8	8	9.6		13					0.75	18				10	951					
(N)CMD1-8A	10	4	4.8		13					0.75	18				12.5	960					
		8.4/2.1	10.1/2.5		1.5/0.4					0.37/0.1											
		7.2/2.4	8.6/2.9		3/1					0.37/0.1											
		7/1.6	8.4/1.9	4.5/1.1	0.37/0.1																
		7.6/1.8	9.1/2.2	7.5/2.0	0.55/0.13																
		8/2	9.6/2.4	13/3.4	0.75/0.18																
		4/1	4.8/1.2	13/3.4	0.75/0.18																

Dimensions (mm)

Type	Capacity (t)	Headroom Hmin	L2	L3	L5	L4	H1	S
(N)CMD1-3A	1	121	300 500	138	375	282	121	0.0161H
(N)CMD1-4A	2	121	350 535	147	375	282	121	0.0174H
(N)CMD1-5A	3.2	121	380 600	161	375	282	121	0.0182H
(N)CMD1-6A	5	151	460 645	194	429	278	151	0.0191H
(N)CMD1-7A	8	179	520 620	211	434	308	179	0.0194H
(N)CMD1-8A	10	179	520 620	211	434	308	179	0.0194H

New CD1 / MD1 Electric Wire Rope Hoists - Monorail wire rope hoist (4/1 rope reeving)

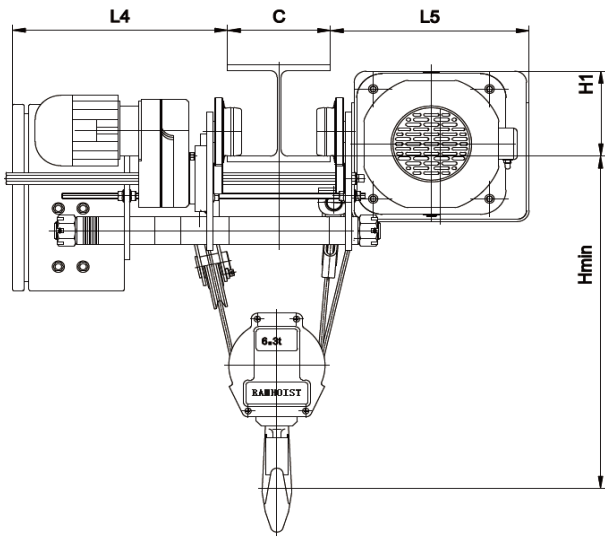
3.2Ton-20Ton

Specifications

Type	Capacity (t)	Lifting Speed (m/min)		Standard Lift (m)	Lifting Motor		Traversing Motor			Wire Rope		I - beam (mm)	Classification	Weight (kg)					
		50Hz	60Hz		Power (kw)	Rotation Speed (r/min)	Power (kw)	Rotation Speed (r/min)	Traversing Speed (m/min)		Diameter (mm)				Test Load (t)				
									50Hz	60Hz									
(N)CMD1-4B	3.2	3.6 3.6/1.2	4.3 4.3/1.4	6	3 3/1	1380 (50Hz) 1656 (60Hz)	0.37 0.37/0.1	1380 (50Hz) 1656 (60Hz)	20 20/5	24 24/6	11	4	110-180	M4	459				
(N)CMD1-5B	6.3	3.5 3.5/0.8	4.2 4.2/1.0		4.5 4.5/1.1		0.55 0.55/0.13		20 20/5	24 24/6						13	7.875	130-180	624
(N)CMD1-6B	10	3.8 3.8/0.9	4.6 4.6/1.1		7.5 7.5/2.0		0.75 0.75/0.18		20 20/5	24 24/6									
(N)CMD1-7B	16	4 4/1	4.8 4.8/1.2		13 13/3.4		2×0.75 2×0.75/0.18		20 20/5	24 24/6						18	20	150-180	1302
(N)CMD1-8B	20	3.2 3.2/0.8	3.8 3.8/1.0		13 13/3.4		2×0.75 2×0.75/0.18		20 20/5	24 24/6									

Dimensions (mm)

Type	Capacity (t)	Headroom Hmin	L2	L3	L5	L4	H1	S
(N)CMD1-4B	3.2	1105	350 535	147	375	282	121	0.0174H
(N)CMD1-5B	6.3	1225	380 600	161	379	278	151	0.0182H
(N)CMD1-6B	10	1314	460 645	194	434	308	179	0.0191H
(N)CMD1-7B	16	1412	520 620	250	434	186	179	0.0194H
(N)CMD1-8B	20	1412	520 620	250	434	186	179	0.0194H

New CD1 / MD1 Electric Wire Rope Hoists - Low head wire rope hoist (4/1 rope reeving)

3Ton-16Ton

Specifications

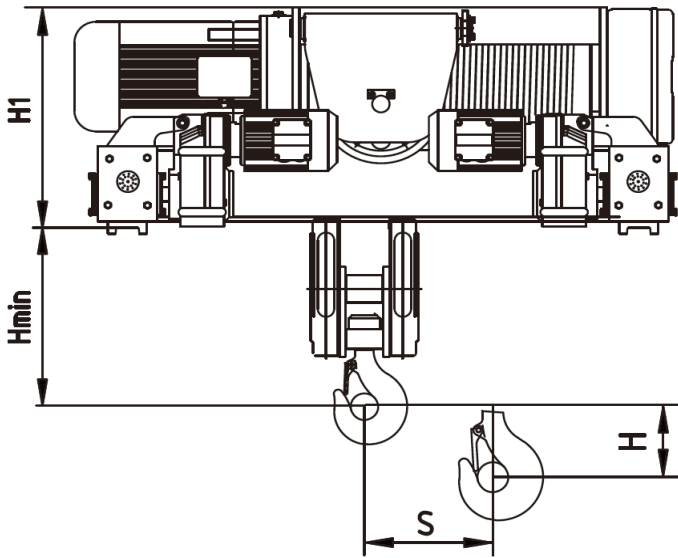
Type	Capacity (t)	Lifting Speed (m/min)		Standard Lift (m)	Lifting Motor		Traversing Motor			Wire Rope Diameter (mm)	Test Load (t)	I - beam (mm)	Classification	Weight (kg)							
		50Hz	60Hz		Power (kw)	Rotation Speed (r/min)	Power (kw)	Rotation Speed (r/min)	Traversing Speed (m/min)												
									50Hz						60Hz						
(N)CMD1-4D	3	5 5/1.6	6 6/1.9	6	3 3/1	1380 (50Hz) 1656 (60Hz)	0.37 0.37/0.1	1380 (50Hz) 1656 (60Hz)	20 20/5	24 24/6	11	3.75	110-180	M4	459						
(N)CMD1-5D	5	5 5/1.2	6 6/1.4		4.5 4.5/1.1		0.55 0.55/0.13		20 20/5	24 24/6						13	6.25	130-180			
(N)CMD1-6D	10	4 4/1	4.8 4.8/1.2		7.5 7.5/2.0		0.75 0.75/0.18		20 20/5	24 24/6									15	12.5	140-180
(N)CMD1-7D	16	4 4/1	4.8 4.8/1.2		13 13/3.4		2×0.75 2×0.75/0.25		20 20/5	24 24/6											

Dimensions (mm)

Type	Capacity (t)	Headroom Hmin	L2	L3	L5	L4	H1	S
(N)CMD1-4D	3	700	330	135	374	450	175	0.0174H
(N)CMD1-5D	5	875	380	135	420	490	185	0.0182H
(N)CMD1-6D	10	1000	460	145	458	520	210	0.0191H
(N)CMD1-7D	16	1030	520	190	590	562	325	0.0194H

New CD1 / MD1 Electric Wire Rope Hoists - Double Rail Type

3.2Ton-32Ton



Specifications

Type	Capacity (t)	Lifting Speed (m/min)		Standard Lift (m)	Lifting Motor		Traversing Motor			Wire Rope		Hmin (mm)	H1 (mm)	S (mm)	Classification	Weight (kg)	
		50Hz	60Hz		Power (kw)	Rotation Speed (r/min)	Power (kw)	Rotation Speed (r/min)	Traversing Speed (m/min)		Diameter (mm)						Test Load (t)
									50Hz	60Hz							
(N)CMD1-5BS	3.2	7	8.4	6	4.5	1380 (50Hz)	1380 (50Hz)	20	24	13	4	212	783	0.0182H	M4	435	
		7/1.6	8.4/1.9					20/5	24/6								
	6.3	3.5	4.2		4.5/1.1	1656 (60Hz)	1656 (60Hz)	20	24								7.875
(N)CMD1-6BS	5	7.6	9.1	6	7.5	1380 (50Hz)	1380 (50Hz)	20	24	15	6.25	302	818	0.0191H	M4	600	
		7.6/1.8	9.1/2.2					20/5	24/6								
	10	3.8	4.6		7.5/2.0	1656 (60Hz)	1656 (60Hz)	20	24								12.5
(N)CMD1-7BS	8	8	9.6	6	13	1380 (50Hz)	1380 (50Hz)	20	24	18	10	362	892	0.0194H	M4	900	
		8/2	9.6/2.4					20/5	24/6								
	16	4	4.8		13/3.4	1656 (60Hz)	1656 (60Hz)	20	24								20
(N)CMD1-8BS	10	6.4	7.7	6	13	1380 (50Hz)	1380 (50Hz)	20	24	18	12.5	362	892	0.0194H	M4	1380	
		6.4/1.6	7.7/1.9					20/5	24/6								
	20	3.2	3.8		13/3.4	1656 (60Hz)	1656 (60Hz)	20	24								25
(N)CMD1-9BS	16	6	7.2	6	18.5	1380 (50Hz)	1380 (50Hz)	20	24	22	20	420	1100	0.02H	M4	2050	
		6/1.5	7.2/1.8					20/5	24/6								
	25	3	3.6		18.5/4.7	1656 (60Hz)	1656 (60Hz)	20	24								31.25
(N)CMD1-9BS	25	3	3.6	6	18.5/4.7	1380 (50Hz)	1380 (50Hz)	20	24	22	360	1250	0.02H	M4	3000		
		3/0.75	3.6/0.9					20/5	24/6								
	32	3	3.6		18.5/4.7	1656 (60Hz)	1656 (60Hz)	20	24							40	
(N)CMD1-9BS	32	3	3.6	6	18.5/4.7	1380 (50Hz)	1380 (50Hz)	20	24	22	40	360	1250	0.02H	M4	3600	
		3/0.75	3.6/0.9					20/5	24/6								