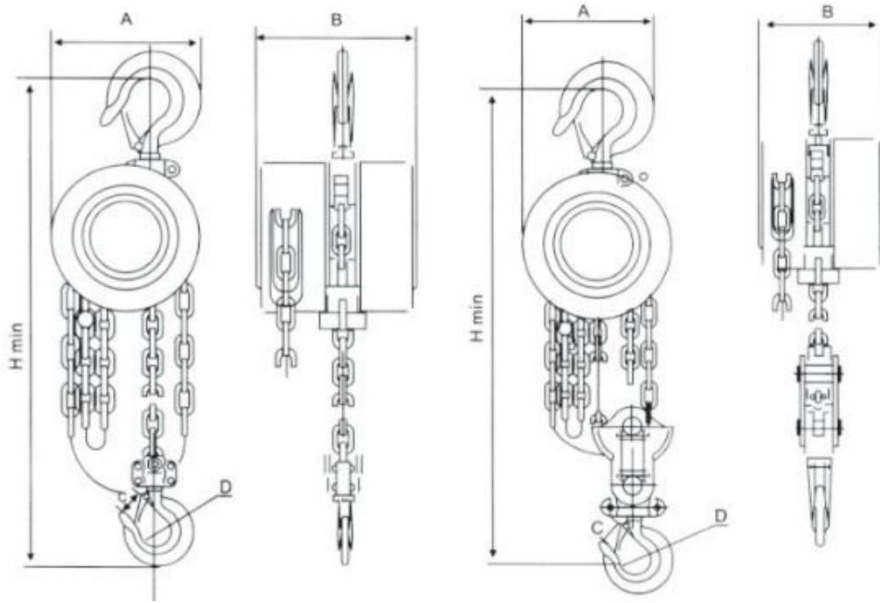


HBSQ Chain Blocks - Exproof

0.5Ton-50Ton



Specifications

Type	Capacity(t)	Standard Lift (m)	Effort required to lift full load (N)	Load Chain	Test Load (t)	Weight(kg)	Additional Weight per 1m Lift(kg)
				Diameter (mm) × chain falls			
HBSQ005	0.5	2.5	225	6 × 1	0.75	9.5	1.7
HBSQ01	1		309	6 × 1	1.5	10	1.7
HBSQ015	1.5		343	8 × 1	2.25	16	2.3
HBSQ02	2		314	6 × 2	3	14	2.5
HBSQ03	3	3	343	8 × 2	4.5	24	3.7
HBSQ05	5		383	10 × 2	7.5	36	5.3
HBSQ10	10		392	10 × 4	15	68	9.7
HBSQ20	20		392	10 × 8	30	155	19.4

Dimensions (mm)

Type	Capacity (t)	A	B	C	D	Hmin
HBSQ005	0.5	120	108	24	120	270
HBSQ01	1	142	122	28	142	444
HBSQ015	1.5	178	139	34	178	470
HBSQ02	2	142	122	34	142	486
HBSQ03	3	178	139	38	178	616
HBSQ05	5	210	162	48	210	630
HBSQ10	10	358	162	64	210	700
HBSQ20	20	580	189	82	210	1000