

Electric Windlasses
0.2Ton-10Ton



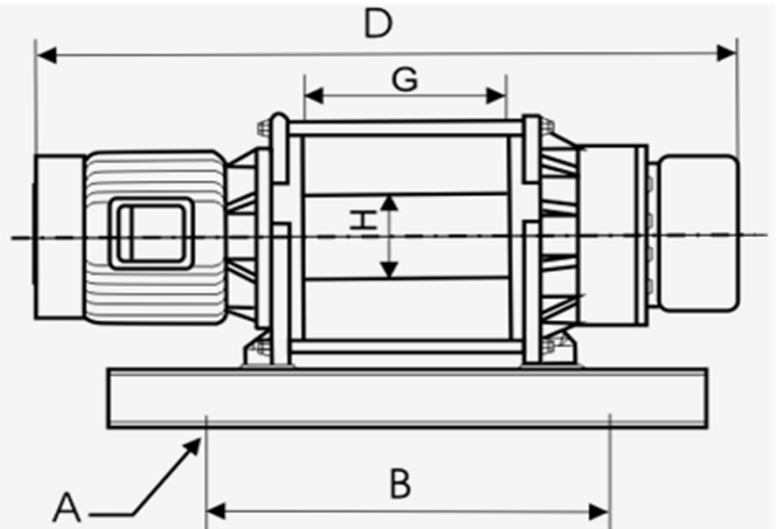
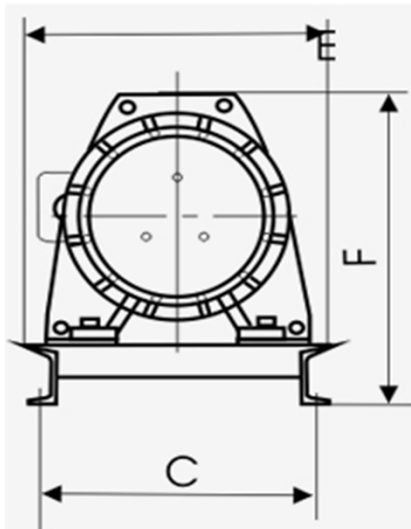
0.2t-0.3t



0.5-3.5t



5t-10t



Drum transmission structure: it adopts planet gears transmission way. Coupling leads the drum turn directly. And it's very easy to replace rejected wire rope or change the rotation direction of wire rope.

Wire rope fixing: add one PT screw on the drum, it's more safe than normal wire rope fixing. it can ensure no escape of wire rope from the drum.

Brake mechanism: it adopts electromagnetism brake, Select wearable brake slice. It's very simple, no need to adjust the clearance. Brake will automatically apply in the event of power cut, it can control the drop distance of heavy load, safe and reliable.

Gear box: made of ductile cast iron FCD-45# steel, Durable and nonbreakable.

Special motor: insulated B, with the features of big start torque, small inertia, lower temperature rise, it can work frequently for a long time.

Driving gear: made of high-quality steel, Pass heat treatment and high precision process. It has the features of wearable, low noise, high driving efficiency and good performance.

Machine fixture: standard channel steel welded. It's convenient used for building site, storage and port, etc.

Specifications

Type	Capacity (t)	Lifting Speed (m/min)		Standard Lift (m)	Voltage (v)	Phase	Power (kw)	Wire Rope	Work level	Test Load (t)	Weight (kg)
		50Hz	60Hz					Diameter (mm)			
XEW-200E	0.2	11	13.2	29	220/380/415/440/480	3	0.6 × 4	6	M3	0.25	36
XEW-250E	0.25	11	13.2	29			0.75×4	6	M3	0.31	40
XEW-300E	0.3	11	13.2	29			1.1×4	7	M3	0.38	49
XEW-300E1	0.3	13	15.6	29			1.1×4	7	M3	0.38	48
XEW-500E1	0.5	13	15.6	58			2.2×4	9	M3	0.63	136
XEW-750E1	0.75	13	15.6	58			3×4	9	M3	0.94	149
XEW-1000E1	1	13.5	16.2	58			4×4	11	M3	1.25	156
XEW-2200E1	2.2	10	12	97			6 × 4	16	M3	2.75	450
XEW-3200E1	3.2	11	13.2	97			7.5 × 4	18	M3	4	500
XEW-3500E1	3.5	11	13.2	140			9 × 4	18	M3	4.38	550
XEW-5000E1	5	11	13.2	192			15 × 4	22	M3	6.25	1500
XEW-10000E1	10	11	13.2	235			22 × 6	32	M3	12.50	3000

Dimensions (mm)

Type	Capacity (t)	A	B	C	D	E	F	G	H
XEW-200E	0.2	4-φ10.5	142	142	510	210	246	108	φ94
XEW-250E	0.25	4-φ10.5	142	142	525	210	246	108	φ94
XEW-300E	0.3	4-φ10.5	172	142	540	210	246	133	φ90
XEW-300E1	0.3	4-φ10.5	172	142	548	210	246	133	φ90
XEW-500E1	0.5	4-φ14	400	330	922	372	430	240	φ140
XEW-750E1	0.75	4-φ18	400	330	935	372	430	240	φ140
XEW-1000E1	1	4-φ18	400	330	935	372	430	240	φ140
XEW-2200E1	2.2	4-φ22	600	499	1160	565	658	312	φ178
XEW-3200E1	3.2	4-φ22	847	499	1431	565	860	416	φ178
XEW-3500E1	3.5	4-φ22	847	499	1431	565	860	416	φ178
XEW-5000E1	5	6-φ24	920	950	1860	1010	1260	660	φ300
XEW-10000E1	10	6-φ24	1600	950	2450	1050	1260	832	φ450