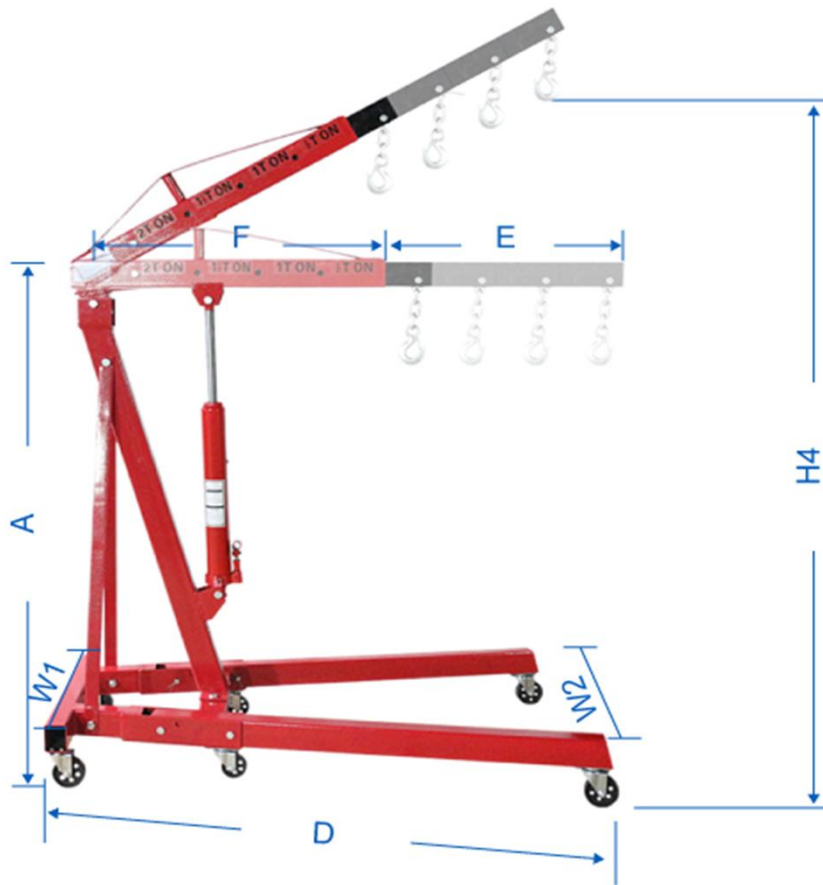


Manual Floor Cranes 1Ton-3Ton



Specifications

Model	Capacity	A	D	W1	W2	H4	F	E	Function	Max. Lifting Loading	Working Range of Boom	Pump Capacity	Packing Size	Net weight	20'ft container
		(Height of Crane)	(Length of frame)	(Width1)	(Width2)	(Max. Lifting height)	(Length of Boom)	(Extension)							
MFC01	1 Ton	1400mm	1500mm	650mm	800mm	2150mm	960mm	280mm	Foldable or Fixed	0.8 ton	960-1240mm	5 ton	138*28*18cm + 75*54*8cm	45kg + 13kg	220
MFC02	2 Ton	1450mm	1650mm	750mm	900mm	2360mm	1050mm	540mm	Foldable or Fixed	1.3 ton	1050-1590mm	8 ton	140*30*19cm + 73*52*11cm	46kg + 14kg	200
MFC03	3 Ton	1450mm	1500mm	700mm	850mm	2200mm	1200mm	630mm	Fixed	2.5 ton	1200-1830mm	12 ton	200*30*20cm + 85*68*23cm	52kg + 18kg	110